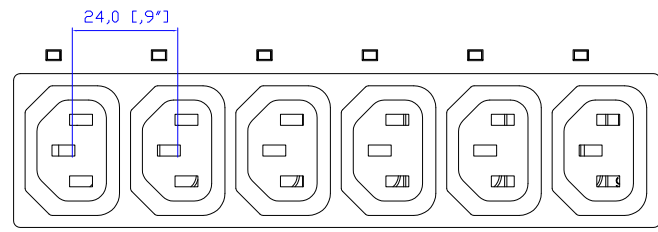
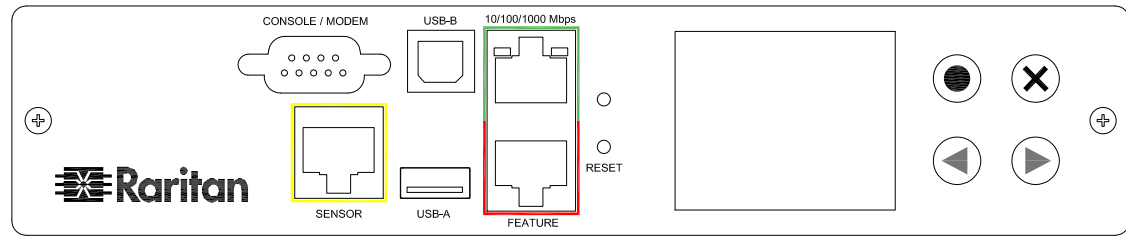


NEMA L6-30P

VIEW A

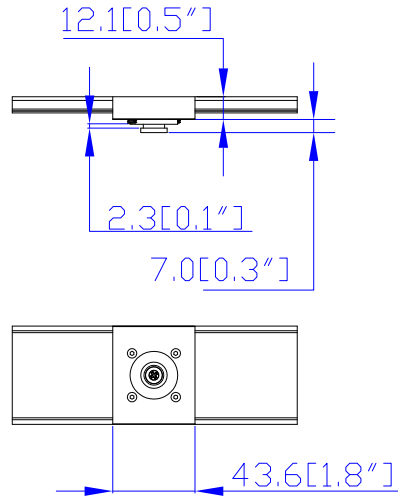


VIEW B

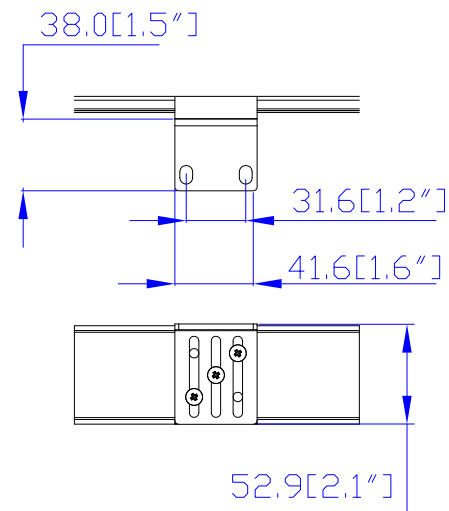


VIEW C

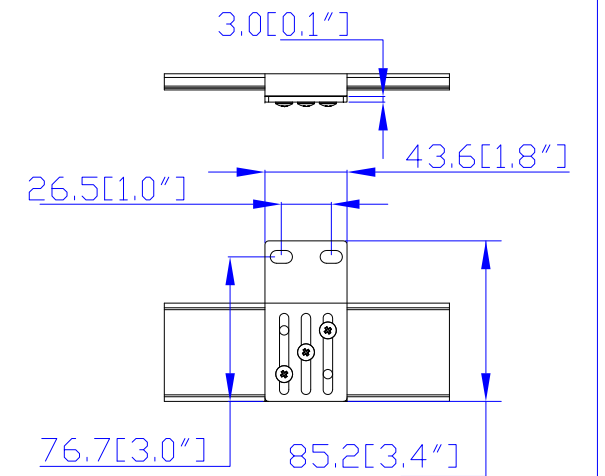
Option 1.



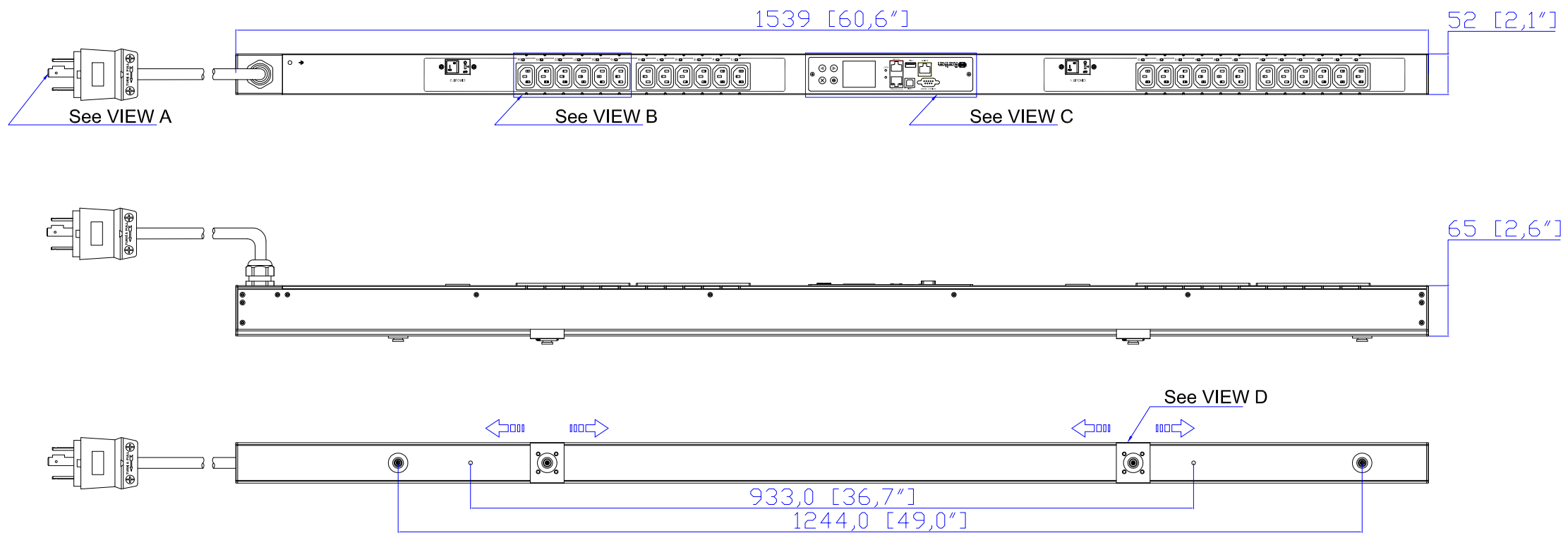
Option 2.



Option 3.



VIEW D



NOTES:  
1. ALL DIMENSIONS ARE MILLIMETERS [INCHES].



Drawing Maker: EVAIn Jul. 22, 2015  
Design Engineer: Kenny\_C Jul. 22, 2015  
Approver: Tom\_H Jul. 22, 2015



DO NOT SCALE DRAWING  
SHEET 1 OF 1

THIS DRAWING AND SPECIFICATIONS HEREIN ARE THE PROPERTY OF RARITAN, Inc. AND SHALL NOT BE COPIED, REPRODUCED OR USED, IN WHOLE OR IN PART, AS THE BASIS FOR THE MANUFACTURE OR SALE OF ITEMS WITHOUT WRITTEN PERMISSION FROM RARITAN, Inc. THIS DRAWING IS BASED UPON LATEST AVAILABLE INFORMATION AND IS SUBJECT TO CHANGE WITHOUT NOTICE.

TITLE: iPDU Zero U,  
Single Phase, 24A/200V-240V,  
Plug Type: NEMA L6-30P,  
Outlet Type: (24) IEC320 C13

DWG NO. **MPX3-5496-G1 & MPX3-4496-G1**

REV. **0A**