

## Technical Specifications / Engineering Submittals

Raritan Model Number: PX3-5524V-E2

rev20250210

### LINE DRAWING



### FEATURES

|                                     |  |
|-------------------------------------|--|
| Energy Metering                     | Voltage (V), Current (A), Active Power (kW), Real Power (kVA), Energy (kWh), Power Factor  |
| Metering Accuracy                   | ISO/IEC 62053-21 1% (see page 3 for details)   |
| Metering per Input Line             | Yes  |
| Metering per Branch Circuit Breaker | Yes  |
| Metering per Output Receptacle      | Yes  |
| Remote Outlet Switching             | Yes  |
| Environmental Sensor Ready          | Yes  |
| Replaceable Controller              | Yes  |
| Compatible Sensors                  | Temperature, Humidity, Air Flow, Differential Pressure, Water Leak, and Contact Closure  |
| Networking                          | Gigabit (10/100/1000 BaseT) Ethernet port; secondary, redundant (10/100/1000 BaseT) Ethernet port. Optional WiFi (802.11a/b/g/n)   |
| Remote Management                   | HTTP(s); SSH; Telnet; RS-232 (Serial); Power IQ; SNMP version v2/v3; SMTP; JSON-RPC; Modbus over TCP   |
| Cascading                           | Yes, Max 32 PDUs can be daisy chained using a USB connection and 32 PDUs using Ethernet connection   |
| Onboard Display                     | Color, matrix LCD display : Voltage, current, or active power (per line, per breaker, or per receptacle / outlet); Alarms; Configuration information (name, ratings, IP / Networking information); Auto-flip orientation |
| Embedded Processor                  | ARM Cortex A5 536MHZ (Atmel A5D35A), 16MB SPI Flash, 64MB DDR2 RAM   |

## Technical Specifications / Engineering Submittals

Raritan Model Number: PX3-5524V-E2

rev20250210

### INPUT

|                       |                                |
|-----------------------|--------------------------------|
| Input Plug            | NEMA L21-30P (4P5W), IP44      |
| Cord Length           | 3 meters (9.84 feet) standard  |
| Cord Entry            | Bottom-bottom feed             |
| Cable Type            | S00W 5C#10                     |
| Number of Power Cords | 1                              |
| Maximum Input Current | 30A                            |
| Nominal Input Voltage | 208V 3 phase                   |
| Rated Input Voltage   | 190 - 208V 3 phase             |
| Input Frequency       | 50/60Hz                        |
| Power Capacity        | 7.9kVA at 190V, 8.6kVA at 208V |

### OUTPUT

|                                  |   |
|----------------------------------|---|
| Nominal Output Voltage           | 208V  |
| Rated Output Voltage             | 190 - 208V  |
| Receptacles (Output Connections) | (18) IEC60320 C13 Locking, 12A<br>(6) IEC60320 C19 Locking, 16A |
| Securelock Support               | Yes   |
| Cord Retention                   | No  |
| Overload Protection              | (3) LEGBXA66-20, 5KAIC  |

### PHYSICAL

|                             |  |
|-----------------------------|--|
| Color                       | Black powder coat (custom colors available)      |
| Unit Dimensions (WxDxH)     | 2.1" x 2.8" x 70.1" ; 52mm x 71mm x 1780mm       |
| Unit Weight                 | TBD  |
| Shipping Weight             | TBD  |
| Shipping Dimensions (WxDxH) | 11.22" x 5.31" x 81.89" ; 285mm x 135mm x 2080mm |
| Mounting                    | G2-RACK-FOR-ZU                                   |

## Technical Specifications / Engineering Submittals

Raritan Model Number: PX3-5524V-E2

rev20250210

### ENVIRONMENTAL

|                             |          |
|-----------------------------|----------|
| Operating Temperature       | 60°C     |
| Operating Relative Humidity | 85%      |
| Operating Elevation         | 0-6000ft |

### CONFORMANCE

|                      |  |
|----------------------|--|
| Regulatory Approvals | UL Listed, Canada ICES-003, Part 15 Class A of the FCC rules, RoHS compliant |
| Warranty             | Standard 2 years manufacturer warranty                                       |

### ACCURACY

|                   | Input Measurement         | Output Measurement        |
|-------------------|---------------------------|---------------------------|
| LCD & GUI Current | ±1% at 0.1 A resolution   | ±1% at 0.1 A resolution   |
| Voltage           | ±1% at 0.1 V resolution   | ±1% at 0.1 V resolution   |
| Active Power      | ±1% at 1 W resolution     | ±1% at 1 W resolution     |
| Apparent Power    | ±1% at 1 VA resolution    | ±1% at 1 VA resolution    |
| Power Factor      | ±1% at 0.1 resolution     | ±1% at 0.1 resolution     |
| Active Energy     | ±1% at 0.1 kWh resolution | ±1% at 0.1 kWh resolution |

### Branch Measurement

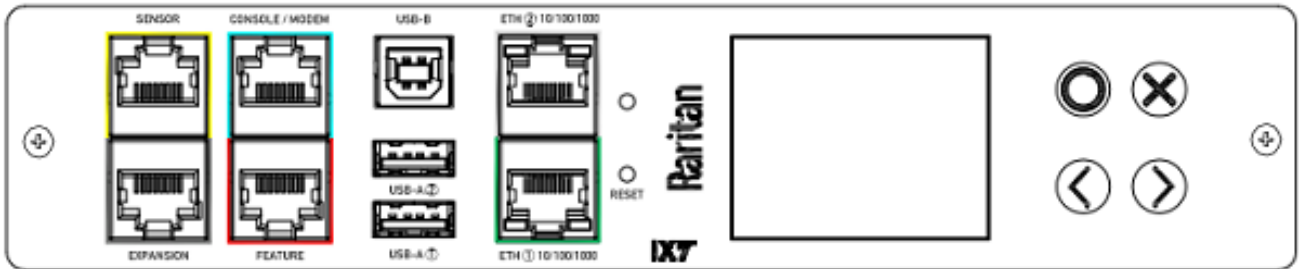
|         |                         |
|---------|-------------------------|
| Current | ±1% at 0.1 A resolution |
|---------|-------------------------|

## Technical Specifications / Engineering Submittals

Raritan Model Number: PX3-5524V-E2

rev20250210

### CONTROL PANEL

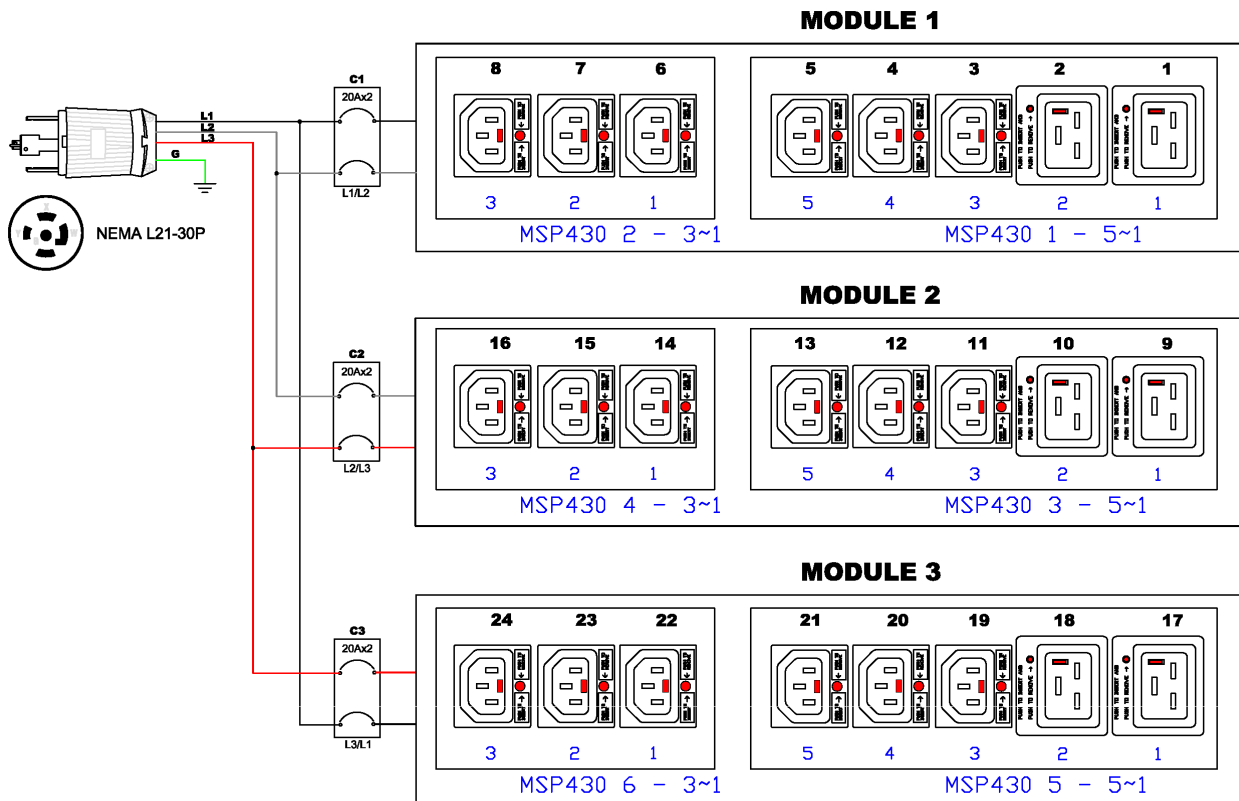


## Technical Specifications / Engineering Submittals

Raritan Model Number: PX3-5524V-E2

rev20250210

### ELECTRICAL (ONE LINE) DIAGRAM

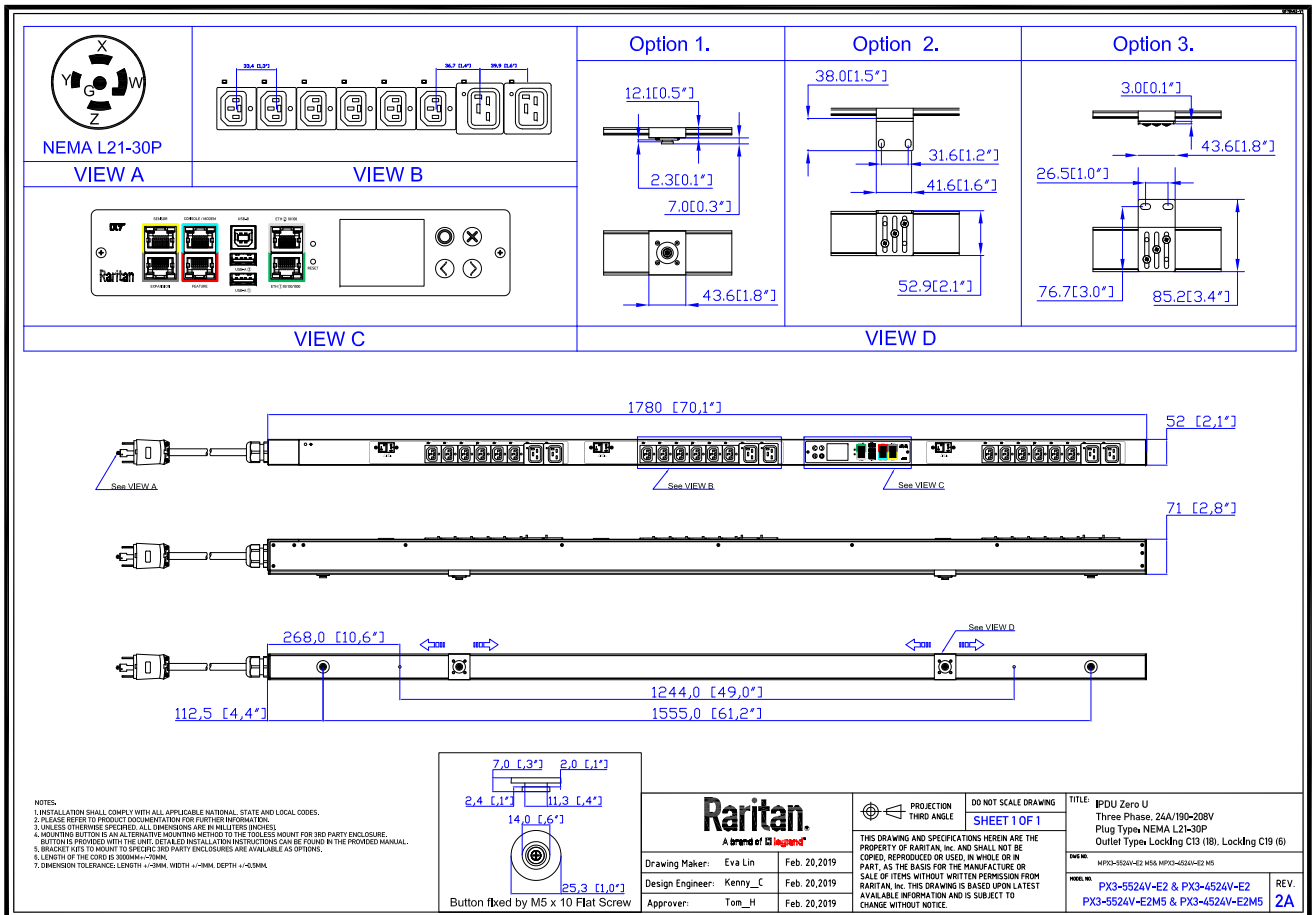


## Technical Specifications / Engineering Submittals

Raritan Model Number: PX3-5524V-E2

rev20250210

### MECHANICAL DIAGRAM



## Technical Specifications / Engineering Submittals

Raritan Model Number: PX3-5524V-E2

rev20250210

### Mounting Diagram (G2-RACK-FOR-ZU)

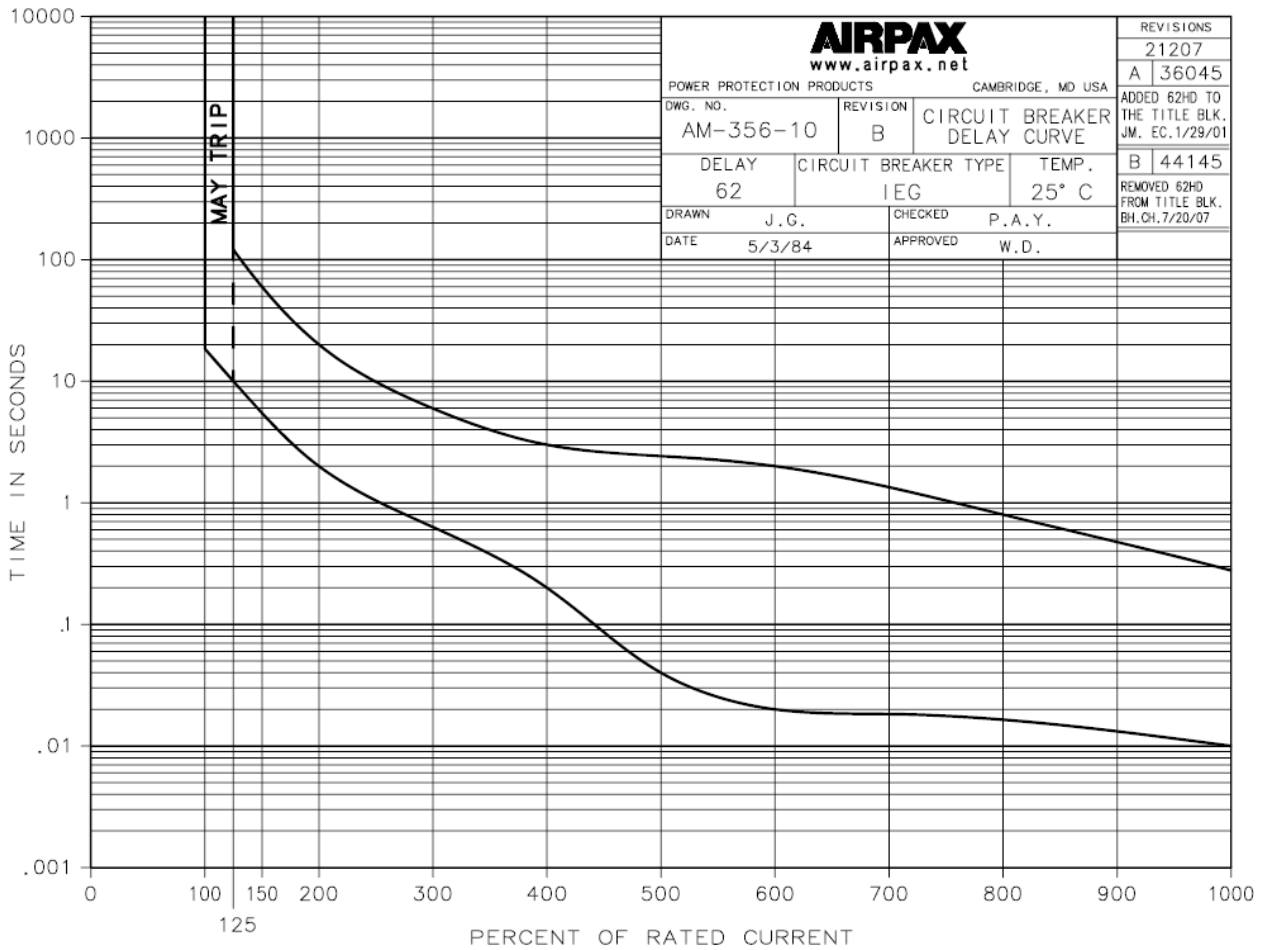


## Technical Specifications / Engineering Submittals

Raritan Model Number: PX3-5524V-E2

rev20250210

### TRIP CURVE



C-1009-1 5/98 32556