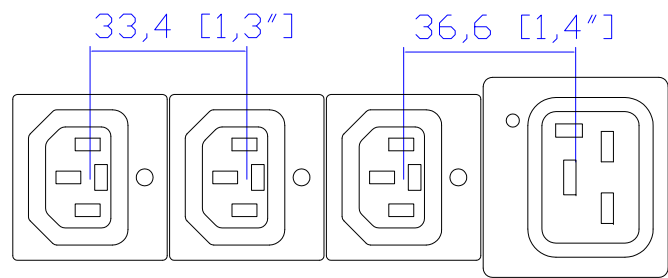
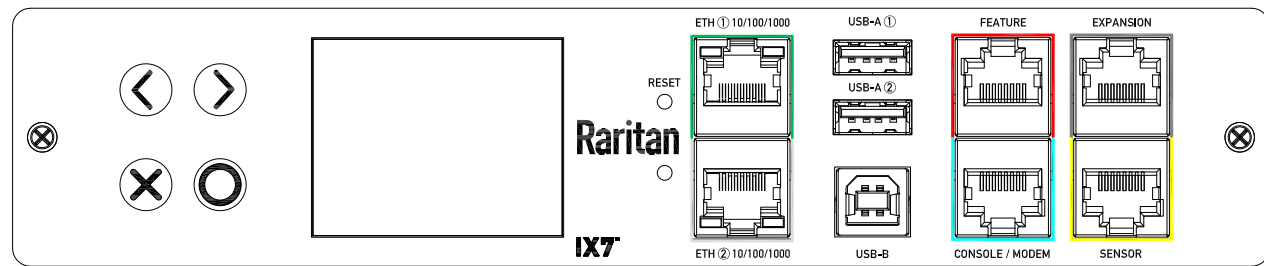


IEC60309 60A 3P

VIEW A

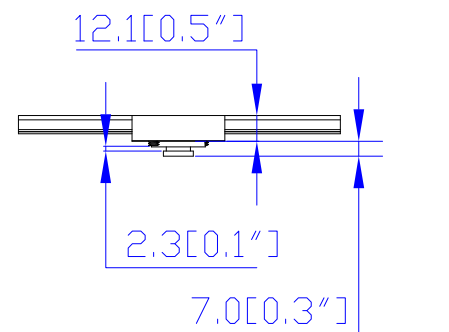


VIEW B

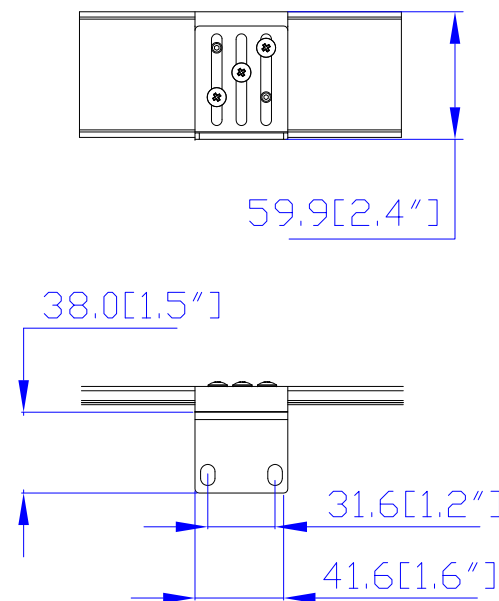


VIEW C (Rotated 180 degrees)

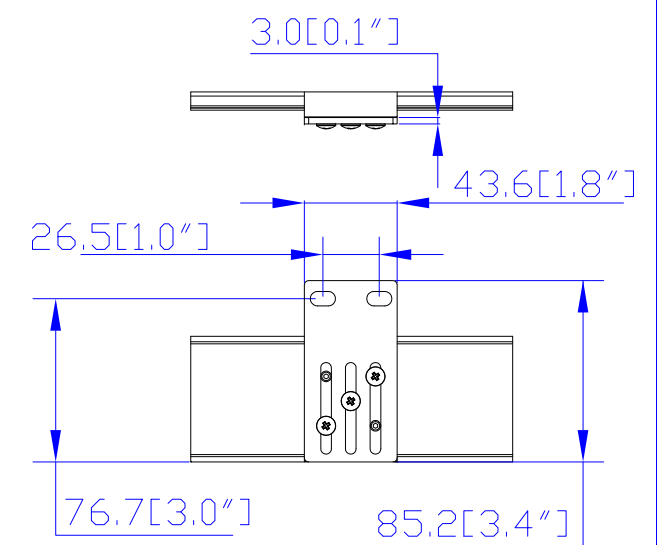
Option 1.



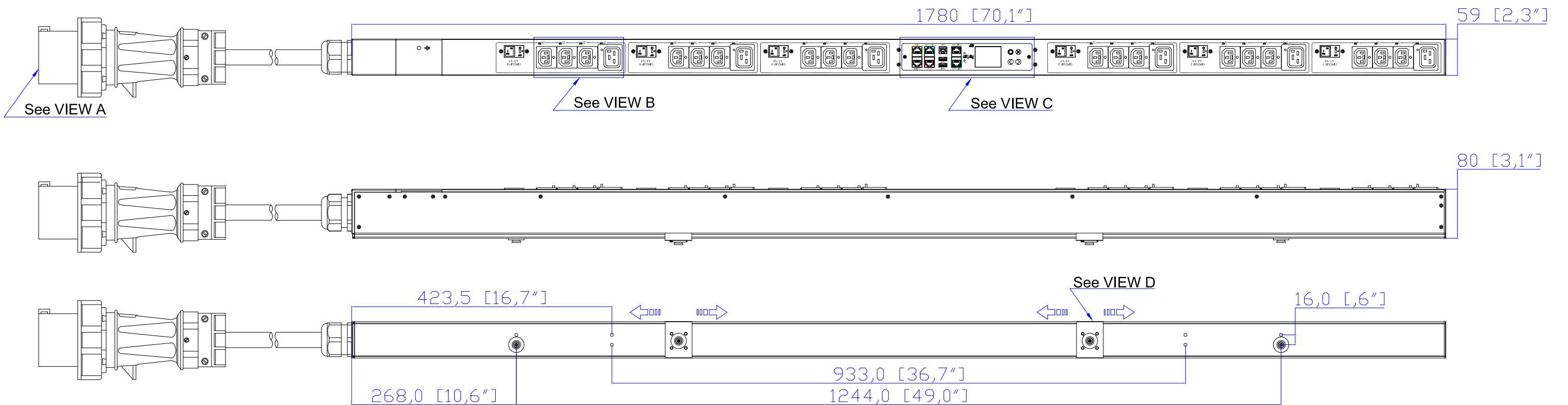
Option 2.



Option 3.

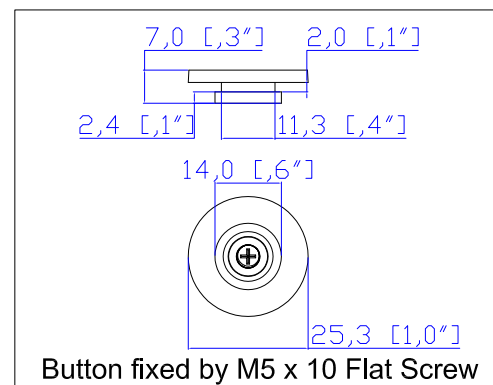


VIEW D



NOTES:

1. INSTALLATION SHALL COMPLY WITH ALL APPLICABLE NATIONAL, STATE AND LOCAL CODES.
2. PLEASE REFER TO PRODUCT DOCUMENTATION FOR FURTHER INFORMATION.
3. UNLESS OTHERWISE SPECIFIED, ALL DIMENSIONS ARE IN MILLIMETERS [INCHES].
4. MOUNTING BUTTON IS AN ALTERNATIVE MOUNTING METHOD TO THE TOOLLESS MOUNT FOR 3RD PARTY ENCLOSURE. BUTTON IS PROVIDED WITH THE UNIT. DETAILED INSTALLATION INSTRUCTIONS CAN BE FOUND IN THE PROVIDED MANUAL.
5. BRACKET KITS TO MOUNT TO SPECIFIC 3RD PARTY ENCLOSURES ARE AVAILABLE AS OPTIONS.
6. LENGTH OF THE CORD IS 3000MM +/-70MM
7. DIMENSION TOLERANCE: LENGTH +/-3MM, WIDTH +/-1MM, DEPTH +/-0.5MM



Raritan
A brand of **Legrand**

Drawing Maker: Tom Hsueh Oct. 24. 2019
Design Engineer: Tom Hsueh Oct. 24. 2019
Approver: Tom Hsueh Oct. 24. 2019

PROJECTION
THIRD ANGLE

THIS DRAWING AND SPECIFICATIONS HEREIN ARE THE PROPERTY OF RARITAN, Inc. AND SHALL NOT BE COPIED, REPRODUCED OR USED, IN WHOLE OR IN PART, AS THE BASIS FOR THE MANUFACTURE OR SALE OF ITEMS WITHOUT WRITTEN PERMISSION FROM RARITAN, Inc. THIS DRAWING IS BASED UPON LATEST AVAILABLE INFORMATION AND IS SUBJECT TO CHANGE WITHOUT NOTICE.

DO NOT SCALE DRAWING
SHEET 1 OF 1

SPECIFICATION
iPDU Zero U
208-240V 3Φ-Δ, 48A
Plug Type: IEC60309 60A 3P
Outlet Type: Locking C13 (18) Locking C19 (6)

DWG NO.
MPX3-5529U-E2V2 & MPX3-4529U-E2V2

MODEL NO.
PX3-5529U-E2V2 & PX3-4529U-E2V2

REV.
2A