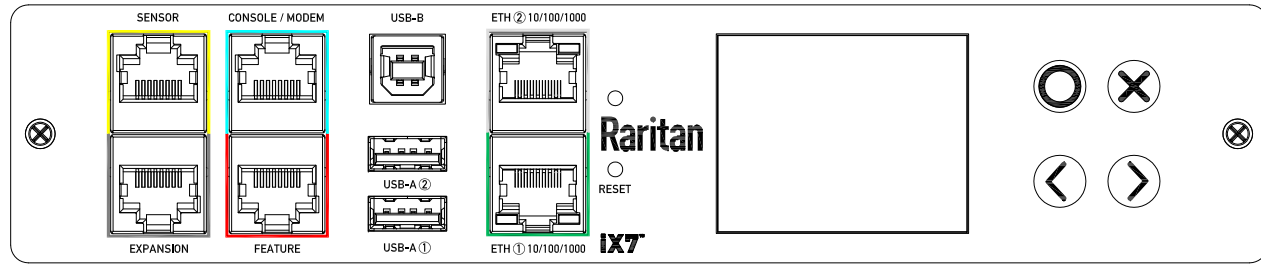
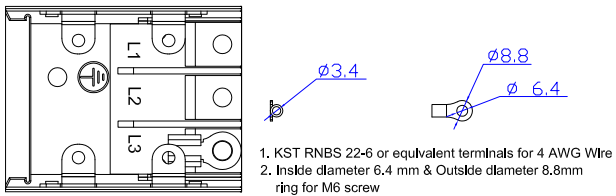


VIEW A

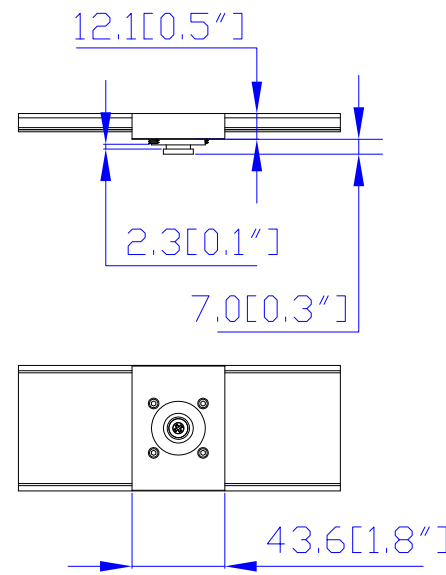


VIEW B (ROTATED 180 DEGREES)

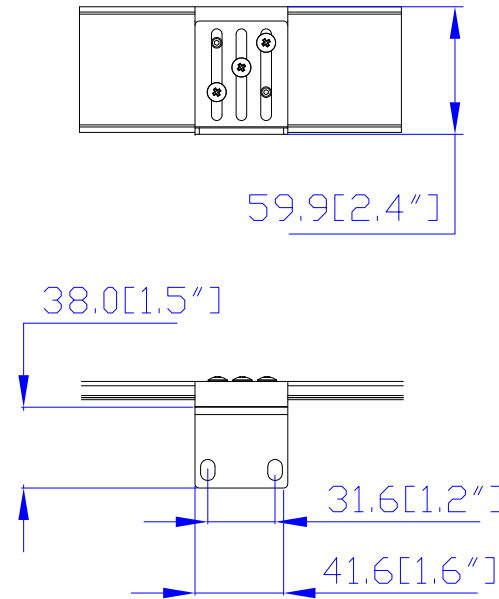


TERMINAL CONNECTION DIAGRAM

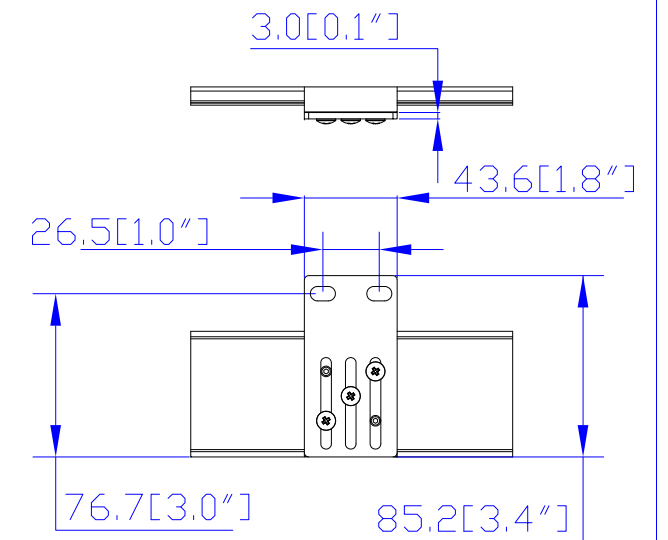
Option 1.



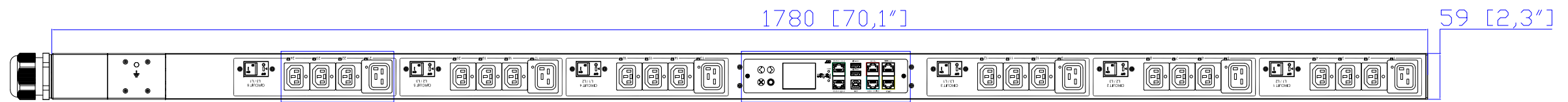
Option 2.



Option 3.

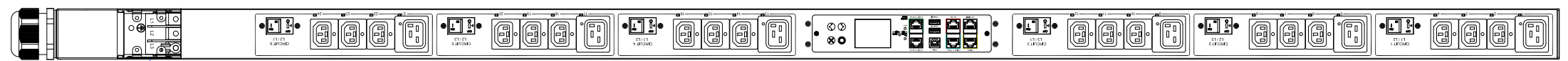


VIEW C

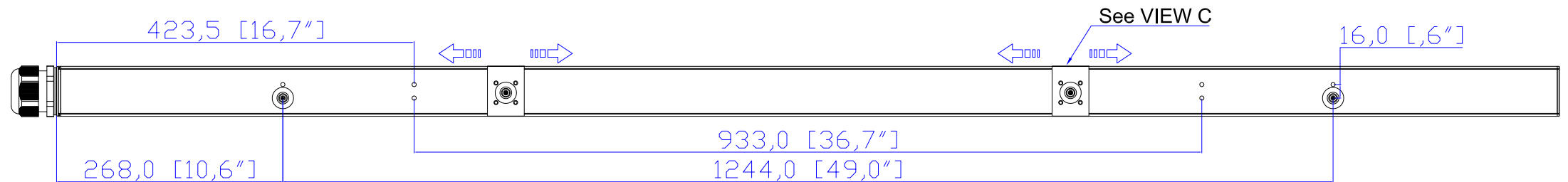
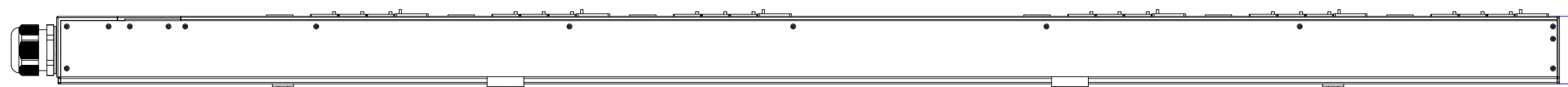


See VIEW A

See VIEW B



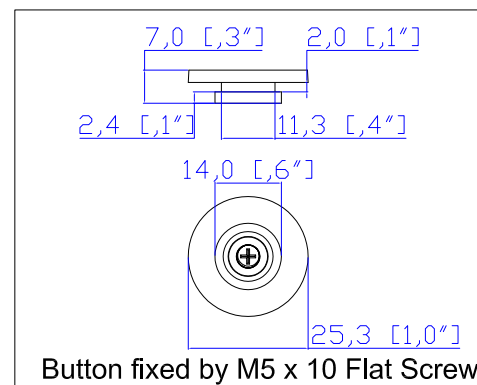
See TERMINAL CONNECTION DIAGRAM



See VIEW C

NOTES:

1. INSTALLATION SHALL COMPLY WITH ALL APPLICABLE NATIONAL, STATE AND LOCAL CODES.
2. PLEASE REFER TO PRODUCT DOCUMENTATION FOR FURTHER INFORMATION.
3. UNLESS OTHERWISE SPECIFIED, ALL DIMENSIONS ARE IN MILLIMETERS (INCHES).
4. MOUNTING BUTTON IS AN ALTERNATIVE MOUNTING METHOD TO THE TOOLLESS MOUNT FOR 3RD PARTY ENCLOSURE. BUTTON IS PROVIDED WITH THE UNIT. DETAILED INSTALLATION INSTRUCTIONS CAN BE FOUND IN THE PROVIDED MANUAL.
5. BRACKET KITS TO MOUNT TO SPECIFIC 3RD PARTY ENCLOSURES ARE AVAILABLE AS OPTIONS.
6. DIMENSION TOLERANCE: LENGTH +/-3MM, WIDTH +/-1MM, DEPTH +/-0,5MM



Button fixed by M5 x 10 Flat Screw

**Raritan**  
A brand of **Legrand**

Drawing Maker: Tom Hsueh Sep. 11. 2019  
Design Engineer: Tom Hsueh Sep. 11. 2019  
Approver: Tom Hsueh Sep. 11. 2019

PROJECTION  
THIRD ANGLE

DO NOT SCALE DRAWING  
**SHEET 1 OF 1**

THIS DRAWING AND SPECIFICATIONS HEREIN ARE THE PROPERTY OF RARITAN, Inc. AND SHALL NOT BE COPIED, REPRODUCED OR USED, IN WHOLE OR IN PART, AS THE BASIS FOR THE MANUFACTURE OR SALE OF ITEMS WITHOUT WRITTEN PERMISSION FROM RARITAN, Inc. THIS DRAWING IS BASED UPON LATEST AVAILABLE INFORMATION AND IS SUBJECT TO CHANGE WITHOUT NOTICE.

TITLE:  
iPDU Zero U  
208-240V 3Φ-Δ, 48A  
Plug Type: 48A Terminal 3P  
Outlet Type: Locking C13 (18) Locking C19 (6)

DWG NO.  
MPX3-5529XV-E2V2 & PX3-4529XV-E2V2

MODEL NO.  
**PX3-5529XV-E2V2 & PX3-4529XV-E2V2** REV. **2A**