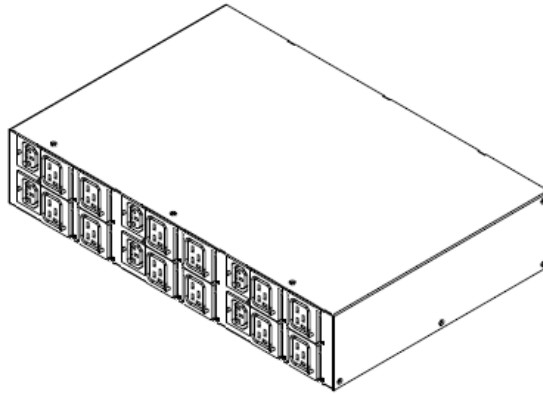


Technical Specifications / Engineering Submittals

Raritan Model Number: PX3-5541R-E2

rev20250210

LINE DRAWING



FEATURES

| | |
|-------------------------------------|---|
| Energy Metering | Voltage (V), Current (A), Active Power (kW), Real Power (kVA), Energy (kWh), Power Factor |
| Metering Accuracy | ISO/IEC 62053-21 1% (see page 3 for details) |
| Metering per Input Line | Yes |
| Metering per Branch Circuit Breaker | Yes |
| Metering per Output Receptacle | Yes |
| Remote Outlet Switching | Yes |
| Environmental Sensor Ready | Yes |
| Replaceable Controller | No |
| Compatible Sensors | Temperature, Humidity, Air Flow, Differential Pressure, Water Leak, and Contact Closure |
| Networking | Gigabit (10/100/1000 BaseT) Ethernet port; secondary, redundant (10/100 BaseT) Ethernet port. Optional WiFi (802.11a/b/g/n) |
| Remote Management | HTTP(s); SSH; Telnet; RS-232 (Serial); Power IQ; SNMP version v2/v3; SMTP; JSON-RPC; Modbus over TCP |
| Cascading | Yes, Max 32 PDUs can be daisy chained using a USB connection and 32 PDUs using Ethernet connection |
| Onboard Display | Color, matrix LCD display : Voltage, current, or active power (per line, per breaker, or per receptacle / outlet); Alarms; Configuration information (name, ratings, IP / Networking information) |
| Embedded Processor | ARM Cortex A5 536MHZ (Atmel A5D35A), 16MB SPI Flash, 64MB DDR2 RAM |

Technical Specifications / Engineering Submittals

Raritan Model Number: PX3-5541R-E2

rev20250210

INPUT

| | |
|-----------------------|------------------------------------|
| Input Plug | IEC 60309 3P+E 9h 60A (3P4W), IP67 |
| Cord Length | 3 meters (9.84 feet) standard |
| Cord Entry | Rear feed |
| Cable Type | S00W 4C#4 |
| Number of Power Cords | 1 |
| Maximum Input Current | 60A |
| Nominal Input Voltage | 208V 3 phase |
| Rated Input Voltage | 208 - 240V 3 phase |
| Input Frequency | 50/60Hz |
| Power Capacity | 17.3kVA at 208V, 20.0kVA at 240V |

OUTPUT

| | |
|----------------------------------|---|
| Nominal Output Voltage | 208V |
| Rated Output Voltage | 208 - 240V |
| Receptacles (Output Connections) | (6) IEC60320 C13 Locking, 12A (12) IEC60320 C19 Locking, 16A |
| Securelock Support | Yes |
| Cord Retention | No |
| Overload Protection | (6) LEGBX66-20, 5KAIC |

PHYSICAL

| | |
|-----------------------------|--|
| Color | Black powder coat (custom colors available) |
| Unit Dimensions (WxDxH) | 17.3" x 11.5" x 3.5" ; 440mm x 293mm x 88mm |
| Unit Weight | 13.5 kg |
| Shipping Weight | 17.5 kg |
| Shipping Dimensions (WxDxH) | 22.05" x 21.73" x 11.18" ; 560mm x 552mm x 284mm |
| Mounting | RACK-KIT-PX-2U |

Technical Specifications / Engineering Submittals

Raritan Model Number: PX3-5541R-E2

rev20250210

ENVIRONMENTAL

| | |
|-----------------------------|----------|
| Operating Temperature | 60°C |
| Operating Relative Humidity | 85% |
| Operating Elevation | 0-6000ft |

CONFORMANCE

| | |
|----------------------|--|
| Regulatory Approvals | UL Listed, Canada ICES-003, Part 15 Class A of the FCC rules, RoHS compliant |
| Warranty | Standard 2 years manufacturer warranty |

ACCURACY

| | Input Measurement | Output Measurement |
|-------------------|---------------------------|---------------------------|
| LCD & GUI Current | ±1% at 0.1 A resolution | ±1% at 0.1 A resolution |
| Voltage | ±1% at 0.1 V resolution | ±1% at 0.1 V resolution |
| Active Power | ±1% at 1 W resolution | ±1% at 1 W resolution |
| Apparent Power | ±1% at 1 VA resolution | ±1% at 1 VA resolution |
| Power Factor | ±1% at 0.1 resolution | ±1% at 0.1 resolution |
| Active Energy | ±1% at 0.1 kWh resolution | ±1% at 0.1 kWh resolution |

Branch Measurement

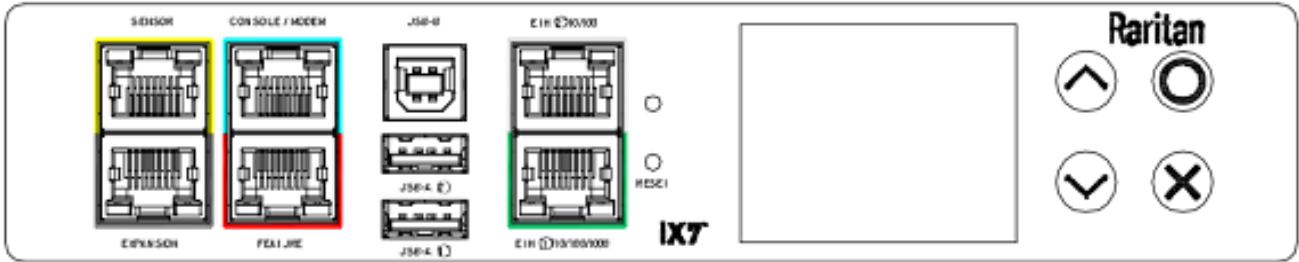
| | |
|---------|-------------------------|
| Current | ±1% at 0.1 A resolution |
|---------|-------------------------|

Technical Specifications / Engineering Submittals

Raritan Model Number: PX3-5541R-E2

rev20250210

CONTROL PANEL

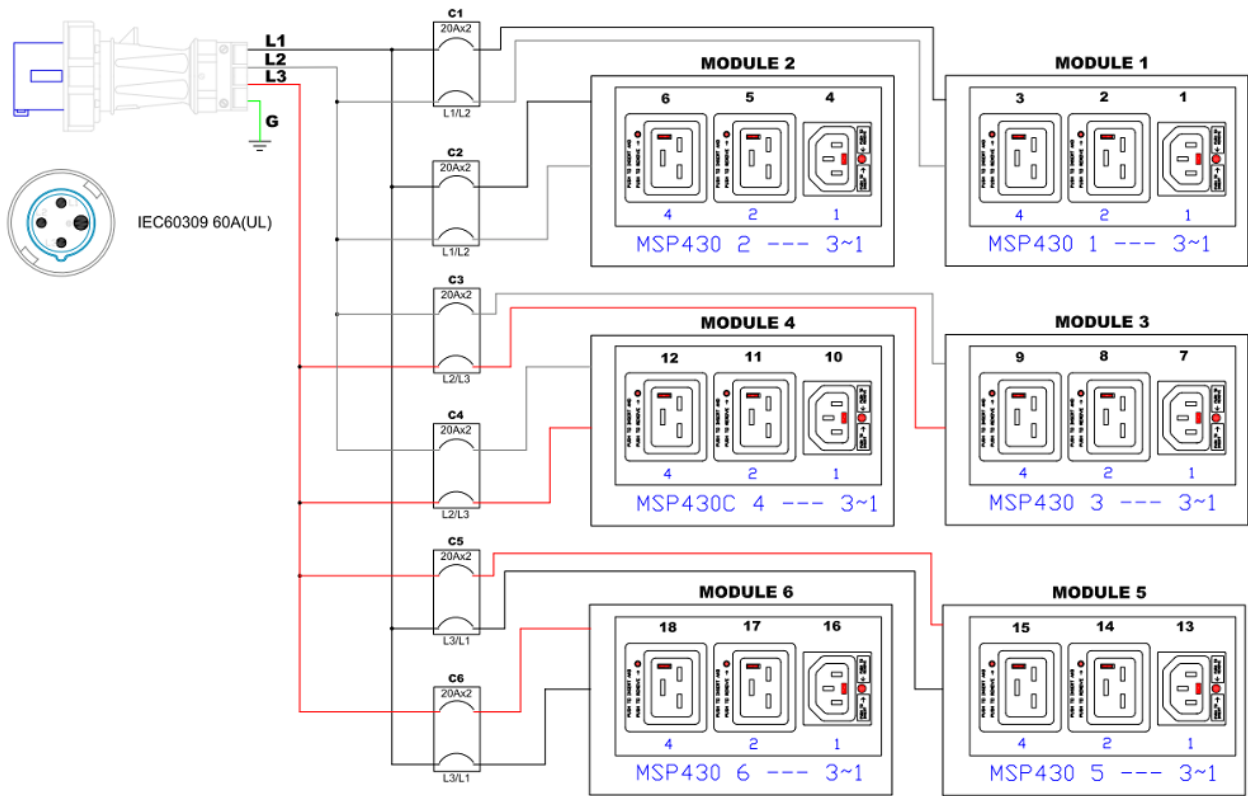


Technical Specifications / Engineering Submittals

Raritan Model Number: PX3-5541R-E2

rev20250210

ELECTRICAL (ONE LINE) DIAGRAM

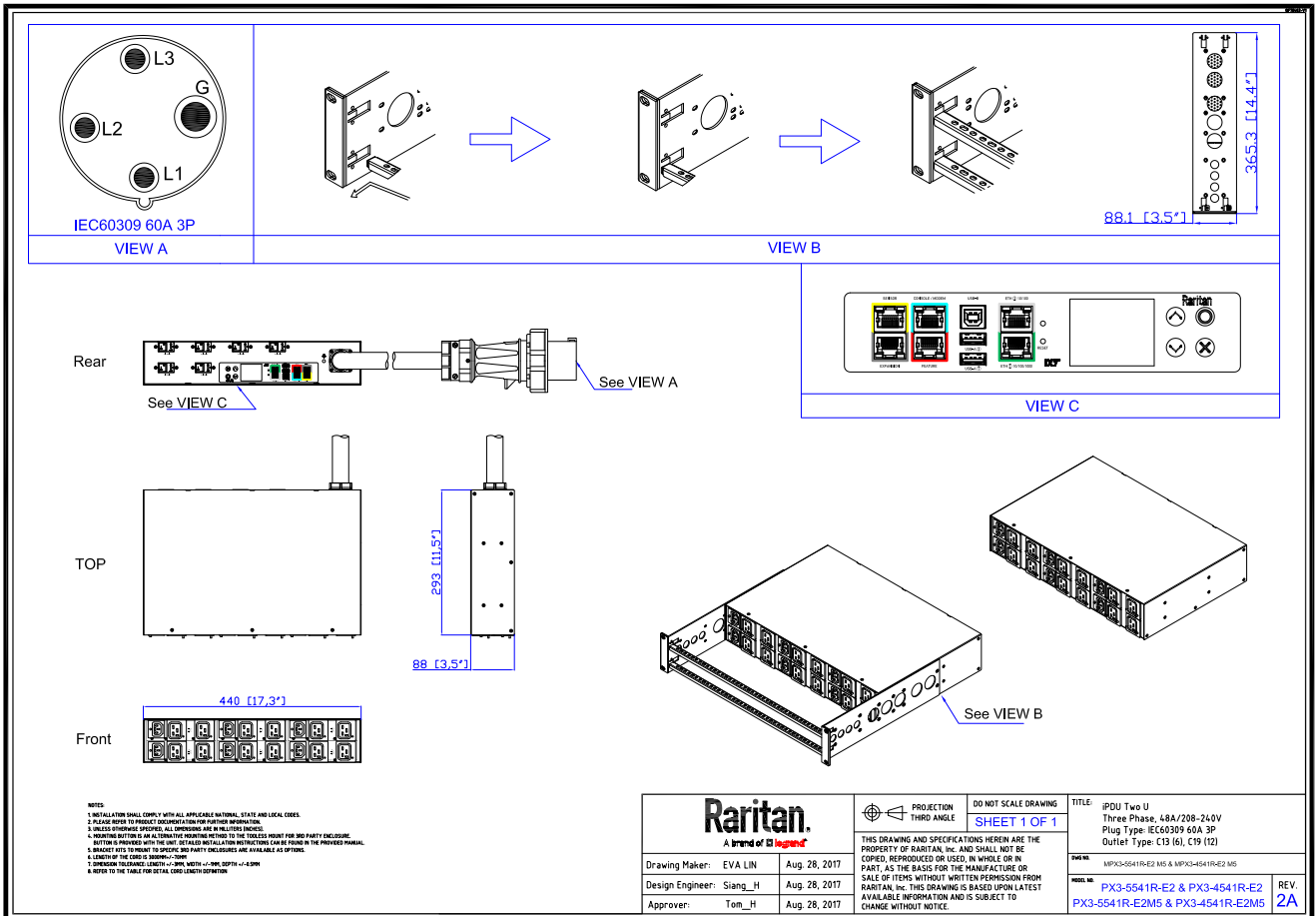


Technical Specifications / Engineering Submittals

Raritan Model Number: PX3-5541R-E2

rev20250210

MECHANICAL DIAGRAM

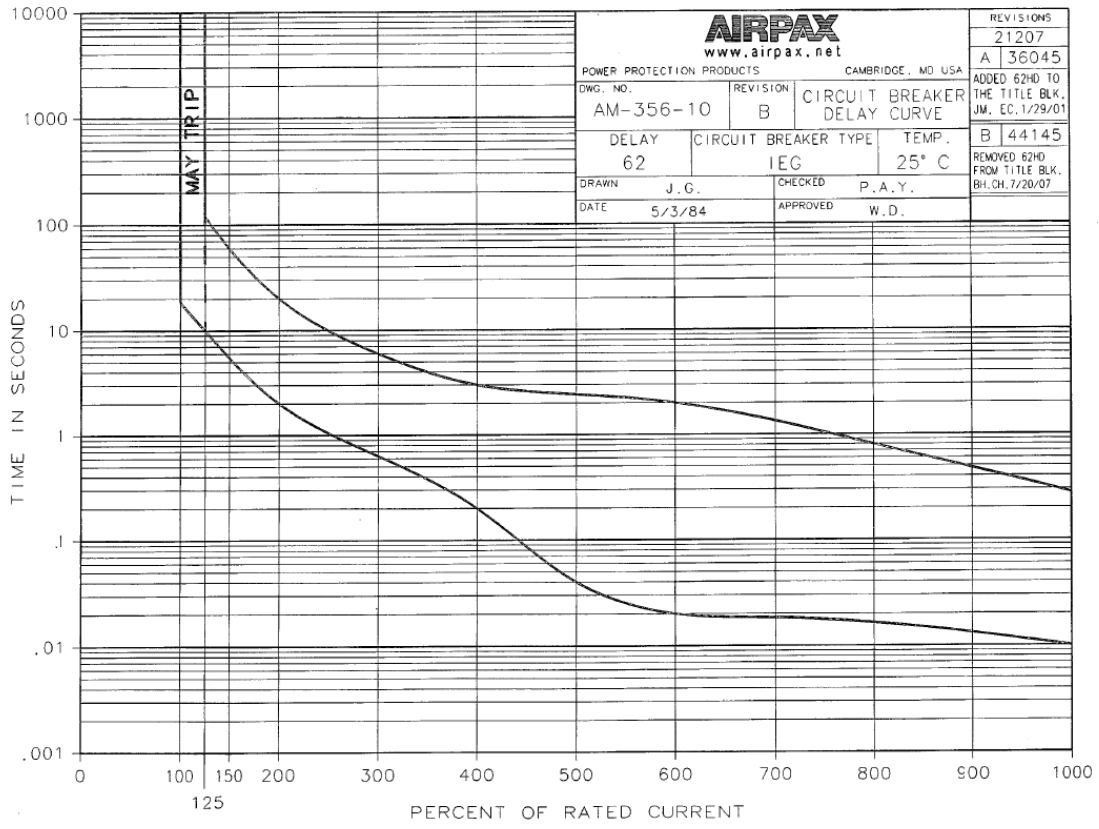


Technical Specifications / Engineering Submittals

Raritan Model Number: PX3-5541R-E2

rev20250210

TRIP CURVE



C-1009-1 5/98 32556

0
C