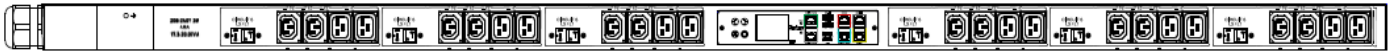


Technical Specifications / Engineering Submittals

Raritan Model Number: PX3-5547V-V2

rev20200701

LINE DRAWING



FEATURES

| | |
|-------------------------------------|--|
| Energy Metering | Voltage (V), Current (A), Active Power (kW), Real Power (kVA), Energy (kWh), Power Factor |
| Metering Accuracy | ISO/IEC 62053-21 1% |
| Metering per Input Line | Yes |
| Metering per Branch Circuit Breaker | Yes |
| Metering per Output Receptacle | Yes |
| Remote Outlet Switching | Yes |
| Environmental Sensor Ready | Yes |
| Replaceable Controller | Yes |
| Compatible Sensors | Temperature, Humidity, Air Flow, Differential Pressure, Water Leak, and Contact Closure |
| Networking | Gigabit (10/100/1000 BaseT) Ethernet port; secondary, redundant (10/100/1000 BaseT) Ethernet port. Optional WiFi (802.11a/b/g/n) |
| Remote Management | HTTP(s); SSH; Telnet; RS-232 (Serial); Power IQ; SNMP version v2/v3; SMTP; JSON-RPC; Modbus over TCP |
| Cascading | Yes, Max 16 PDUs can be daisy chained using a single Ethernet or USB connection |
| Onboard Display | Color, matrix LCD display : Voltage, current, or active power (per line, per breaker, or per receptacle / outlet); Alarms; Configuration information (name, ratings, IP / Networking information); Auto-flip orientation |
| Embedded Processor | ARM Cortex A5 500MHZ (Atmel A5D21C), 16MB SPI Flash, 128MB DDR2 RAM |

Technical Specifications / Engineering Submittals

Raritan Model Number: PX3-5547V-V2

rev20200701

INPUT

| | |
|-----------------------|----------------------------------|
| Input Plug | CS8365C (3P4W) |
| Cord Length | 3 meters (9.84 feet) standard |
| Cord Entry | Bottom-bottom feed |
| Cable Type | IP20 |
| Number of Power Cords | 1 |
| Maximum Input Current | 50A |
| Nominal Input Voltage | 208V 3 phase |
| Rated Input Voltage | 208 - 240V 3 phase |
| Input Frequency | 50/60Hz |
| Power Capacity | 14.4kVA at 208V, 16.6kVA at 240V |

OUTPUT

| | |
|----------------------------------|--|
| Nominal Output Voltage | 208V |
| Rated Output Voltage | 208 - 240V |
| Receptacles (Output Connections) | (12) IEC320 C13, 12A (12) IEC320 C19, 16A |
| Securelock Support | Yes |
| Cord Retention | Yes |
| Overload Protection | (6) LEGBX66-20 |

PHYSICAL

| | |
|-----------------------------|--|
| Color | Black powder coat (custom colors available) |
| Unit Dimensions (WxDxH) | 2.3" x 3.1" x 70.1" ; 59mm x 80mm x 1780mm |
| Unit Weight | 10.2 kg |
| Shipping Weight | 16.3 kg |
| Shipping Dimensions (WxDxH) | 14.49" x 5.31" x 82.83" ; 368mm x 135mm x 2104mm |
| Mounting | G3-RACK-FOR-ZU |

Technical Specifications / Engineering Submittals

Raritan Model Number: PX3-5547V-V2

rev20200701

ENVIRONMENTAL

| | |
|-----------------------------|-------------|
| Operating Temperature | 60°C |
| Operating Relative Humidity | 85% |
| Operating Elevation | 0-6000ft |
| Storage Temperature | -25 to 65°C |
| Storage Humidity | 0-100% |
| Storage Elevation | 0-10000ft |

CONFORMANCE

| | |
|----------------------|---|
| Regulatory Approvals | UL Listed, Canada ICES-003, Part 15 Class A of the FCC rules, RoHS compliant |
| Warranty | Standard 2 years manufacturer warranty (Extended warranty available for purchase) |

Technical Specifications / Engineering Submittals

Raritan Model Number: PX3-5547V-V2

rev20200701

CONTROL PANEL

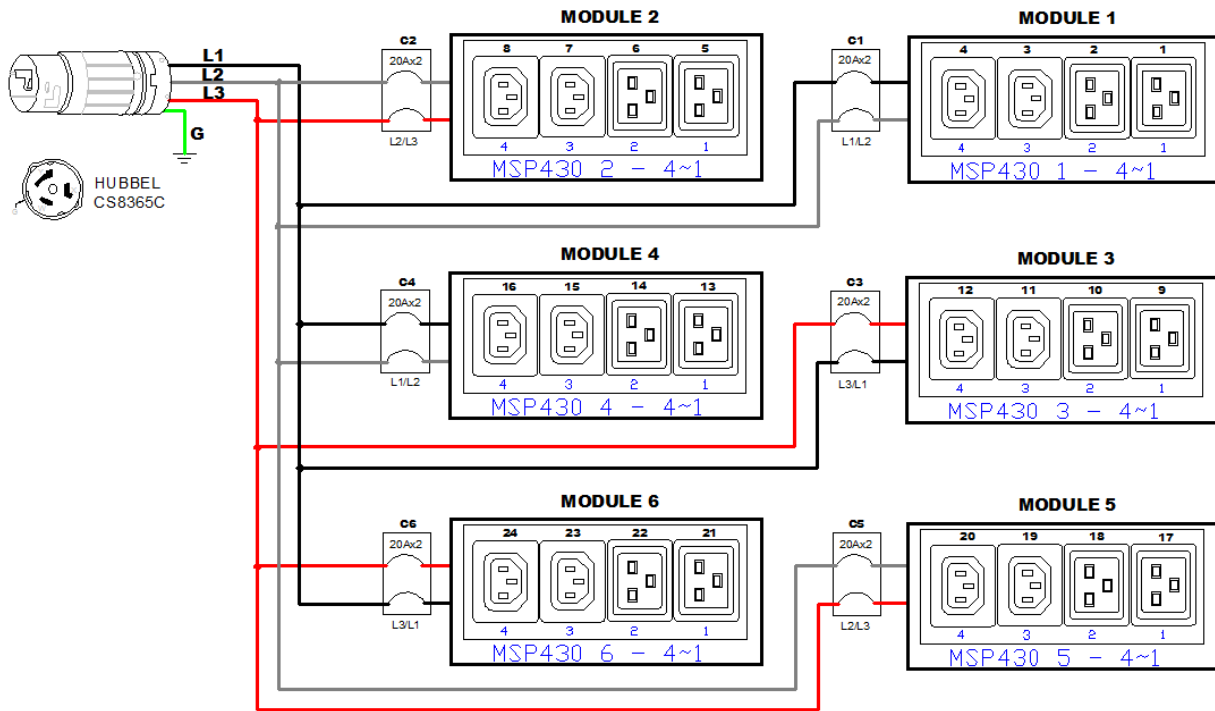


Technical Specifications / Engineering Submittals

Raritan Model Number: PX3-5547V-V2

rev20200701

ELECTRICAL (ONE LINE) DIAGRAM

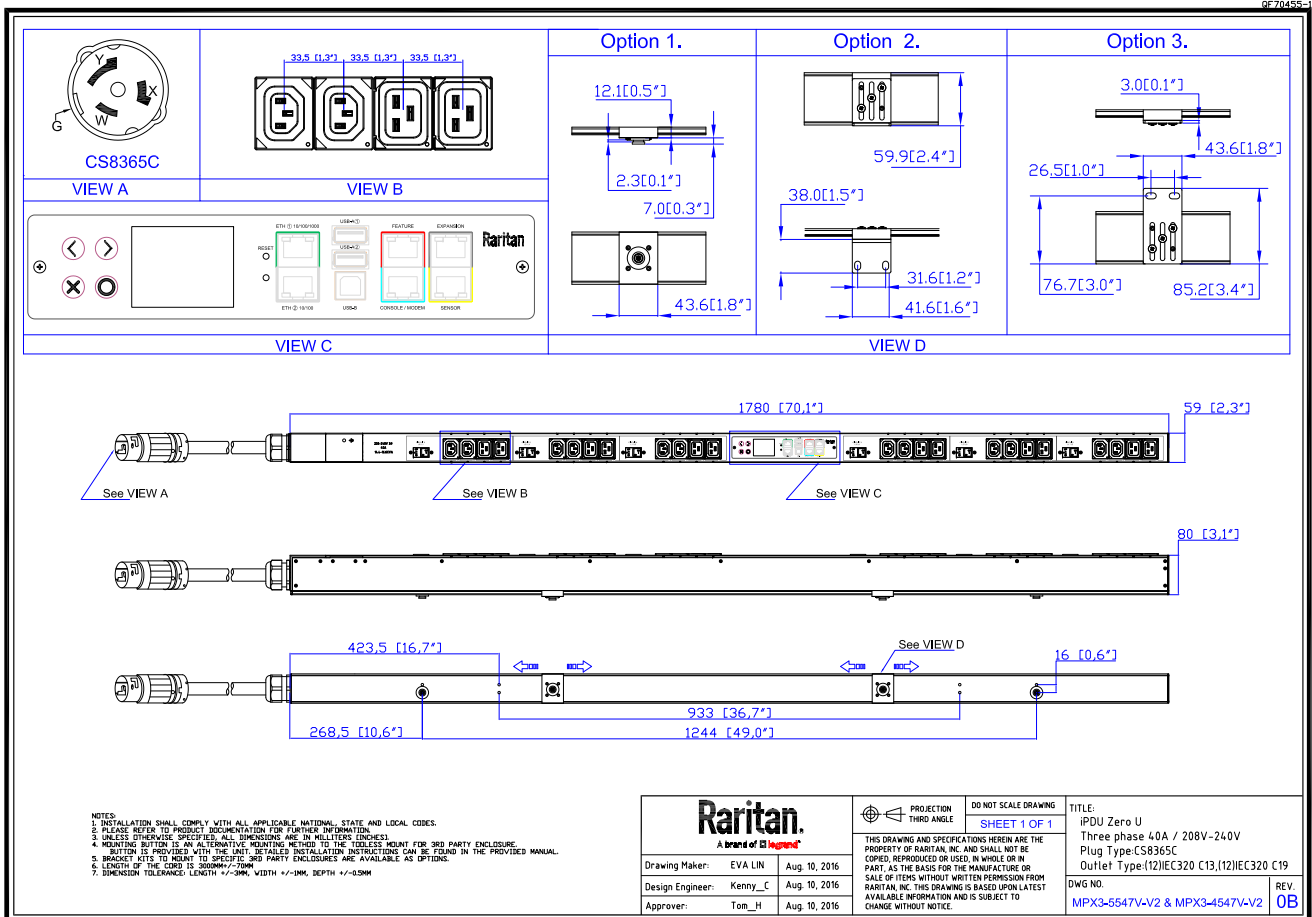


Technical Specifications / Engineering Submittals

Raritan Model Number: PX3-5547V-V2

rev20200701

MECHANICAL DIAGRAM

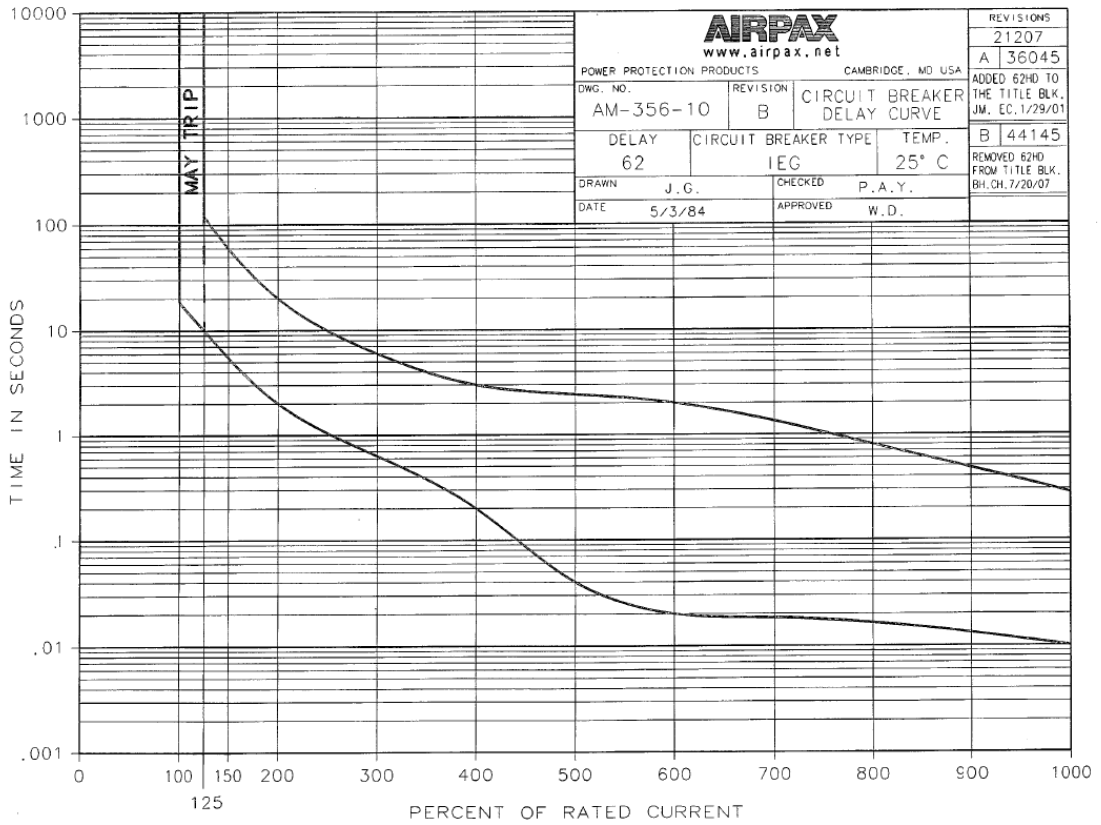


Technical Specifications / Engineering Submittals

Raritan Model Number: PX3-5547V-V2

rev20200701

TRIP CURVE



C-1009-1 5/98 32556

0
C