

## Technical Specifications / Engineering Submittals

Raritan Model Number: PX3-5703-V2

rev20250210

### LINE DRAWING



### FEATURES

|                                     |  |
|-------------------------------------|--|
| Energy Metering                     | Voltage (V), Current (A), Active Power (kW), Real Power (kVA), Energy (kWh), Power Factor  |
| Metering Accuracy                   | ISO/IEC 62053-21 1% (see page 3 for details)   |
| Metering per Input Line             | Yes  |
| Metering per Branch Circuit Breaker | Yes  |
| Metering per Output Receptacle      | Yes  |
| Remote Outlet Switching             | Yes  |
| Environmental Sensor Ready          | Yes  |
| Replaceable Controller              | Yes  |
| Compatible Sensors                  | Temperature, Humidity, Air Flow, Differential Pressure, Water Leak, and Contact Closure  |
| Networking                          | Gigabit (10/100/1000 BaseT) Ethernet port; secondary, redundant (10/100/1000 BaseT) Ethernet port. Optional WiFi (802.11a/b/g/n)   |
| Remote Management                   | HTTP(s); SSH; Telnet; RS-232 (Serial); Power IQ; SNMP version v2/v3; SMTP; JSON-RPC; Modbus over TCP   |
| Cascading                           | Yes, Max 32 PDUs can be daisy chained using a USB connection and 32 PDUs using Ethernet connection   |
| Onboard Display                     | Color, matrix LCD display : Voltage, current, or active power (per line, per breaker, or per receptacle / outlet); Alarms; Configuration information (name, ratings, IP / Networking information); Auto-flip orientation |
| Embedded Processor                  | ARM Cortex A5 536MHZ (Atmel A5D35A), 16MB SPI Flash, 64MB DDR2 RAM   |

## Technical Specifications / Engineering Submittals

Raritan Model Number: PX3-5703-V2

rev20250210

### INPUT

|                       |                                      |
|-----------------------|--------------------------------------|
| Input Plug            | IEC 60309 3P+N+E 6h 32A (4P5W), IP44 |
| Cord Length           | 3 meters (9.84 feet) standard        |
| Cord Entry            | Bottom-front feed                    |
| Cable Type            | N-S LSOH 5G6.0                       |
| Number of Power Cords | 1                                    |
| Maximum Input Current | 32A                                  |
| Nominal Input Voltage | 400V 3 phase                         |
| Rated Input Voltage   | 380 - 415V 3 phase                   |
| Input Frequency       | 50/60Hz                              |
| Power Capacity        | 21.1kVA at 380V, 23.0kVA at 415V     |

### OUTPUT

|                                  |                       |
|----------------------------------|-----------------------|
| Nominal Output Voltage           | 230V                  |
| Rated Output Voltage             | 220 - 240V            |
| Receptacles (Output Connections) | (36) IEC320 C13, 10A  |
| Securelock Support               | Yes                   |
| Cord Retention                   | Yes                   |
| Overload Protection              | (6) LEGBXA6-16, 5KAIC |

### PHYSICAL

|                             |  |
|-----------------------------|--|
| Color                       | Black powder coat (custom colors available)    |
| Unit Dimensions (WxDxH)     | 2.1" x 2.6" x 70.1" ; 52mm x 65mm x 1780mm     |
| Unit Weight                 | 7.5 kg   |
| Shipping Weight             | 9.7 kg   |
| Shipping Dimensions (WxDxH) | 9.06" x 4.65" x 75.2" ; 230mm x 118mm x 1910mm |
| Mounting                    | G2-RACK-FOR-ZU                                 |

## Technical Specifications / Engineering Submittals

Raritan Model Number: PX3-5703-V2

rev20250210

### ENVIRONMENTAL

|                             |          |
|-----------------------------|----------|
| Operating Temperature       | 60°C     |
| Operating Relative Humidity | 85%      |
| Operating Elevation         | 0-6000ft |

### CONFORMANCE

|                      |   |
|----------------------|---|
| Regulatory Approvals | CE, Canada ICES-003, Part 15 Class A of the FCC rules, RoHS compliant |
| Warranty             | Standard 2 years manufacturer warranty                                |

### ACCURACY

|                   | Input Measurement         | Output Measurement        |
|-------------------|---------------------------|---------------------------|
| LCD & GUI Current | ±1% at 0.1 A resolution   | ±1% at 0.1 A resolution   |
| Voltage           | ±1% at 0.1 V resolution   | ±1% at 0.1 V resolution   |
| Active Power      | ±1% at 1 W resolution     | ±1% at 1 W resolution     |
| Apparent Power    | ±1% at 1 VA resolution    | ±1% at 1 VA resolution    |
| Power Factor      | ±1% at 0.1 resolution     | ±1% at 0.1 resolution     |
| Active Energy     | ±1% at 0.1 kWh resolution | ±1% at 0.1 kWh resolution |

### Branch Measurement

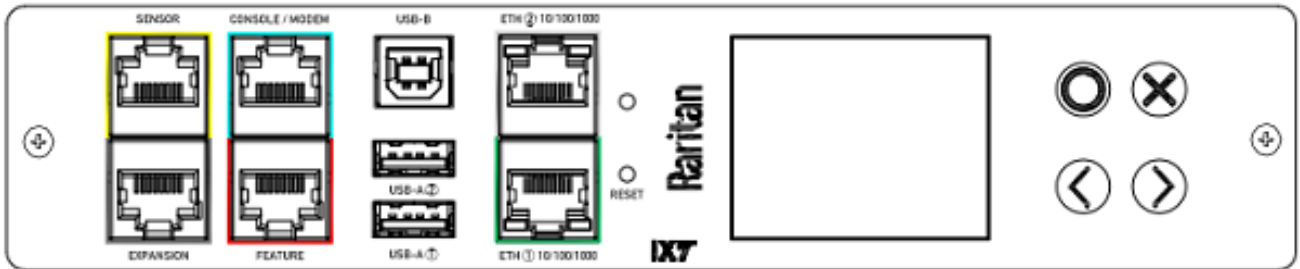
|         |                         |
|---------|-------------------------|
| Current | ±1% at 0.1 A resolution |
|---------|-------------------------|

## Technical Specifications / Engineering Submittals

Raritan Model Number: PX3-5703-V2

rev20250210

### CONTROL PANEL

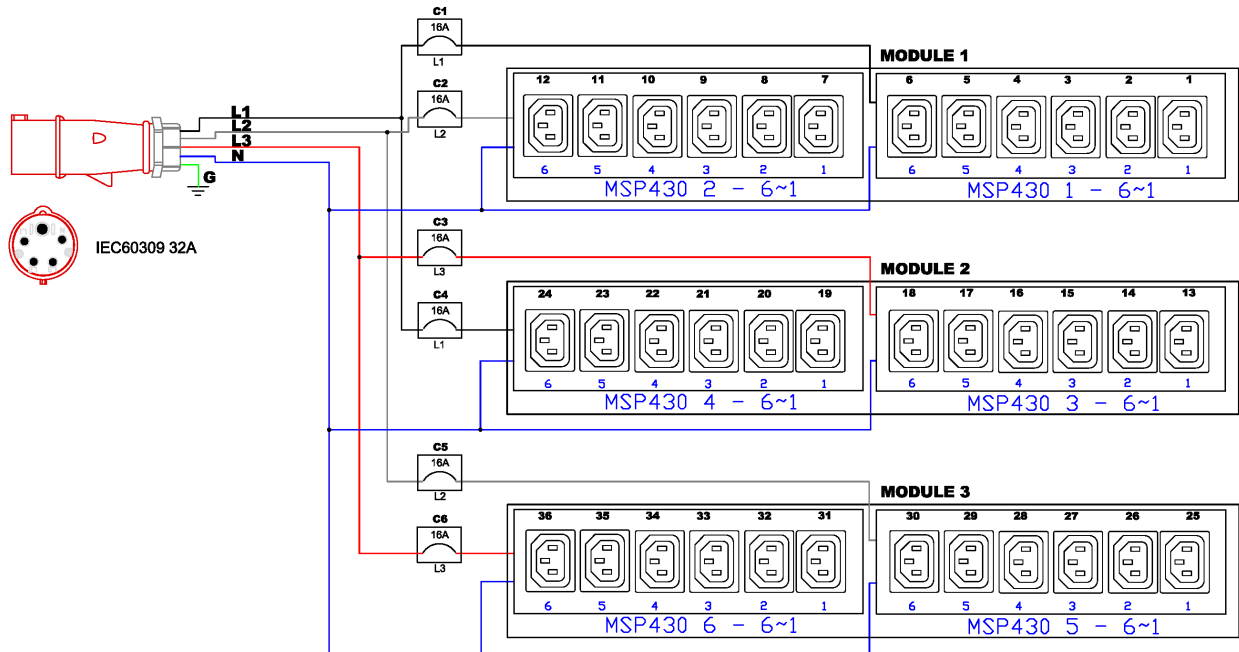


## Technical Specifications / Engineering Submittals

Raritan Model Number: PX3-5703-V2

rev20250210

### ELECTRICAL (ONE LINE) DIAGRAM

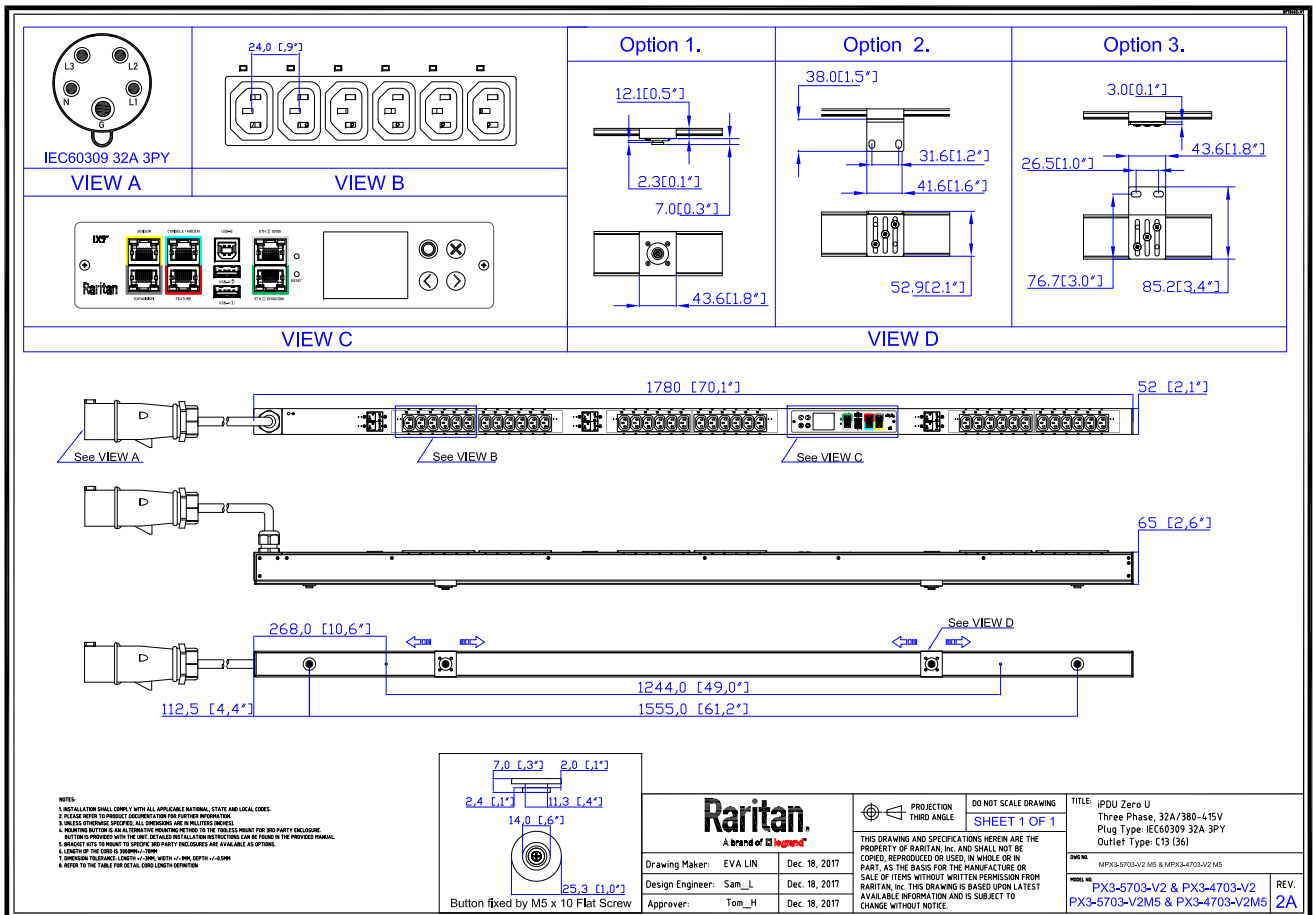


## Technical Specifications / Engineering Submittals

Raritan Model Number: PX3-5703-V2

rev20250210

### MECHANICAL DIAGRAM

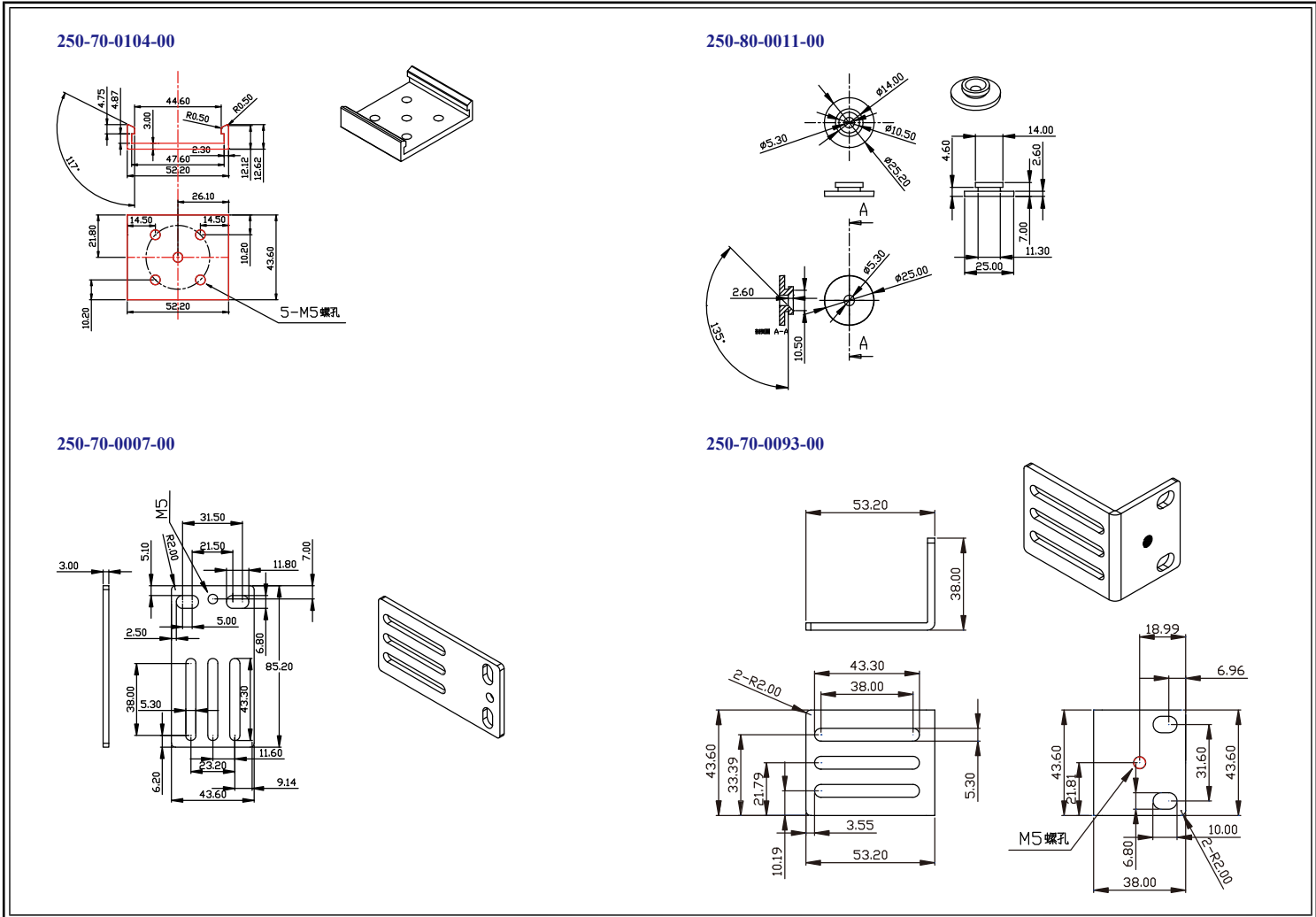


## Technical Specifications / Engineering Submittals

Raritan Model Number: PX3-5703-V2

rev20250210

### Mounting Diagram (G2-RACK-FOR-ZU)

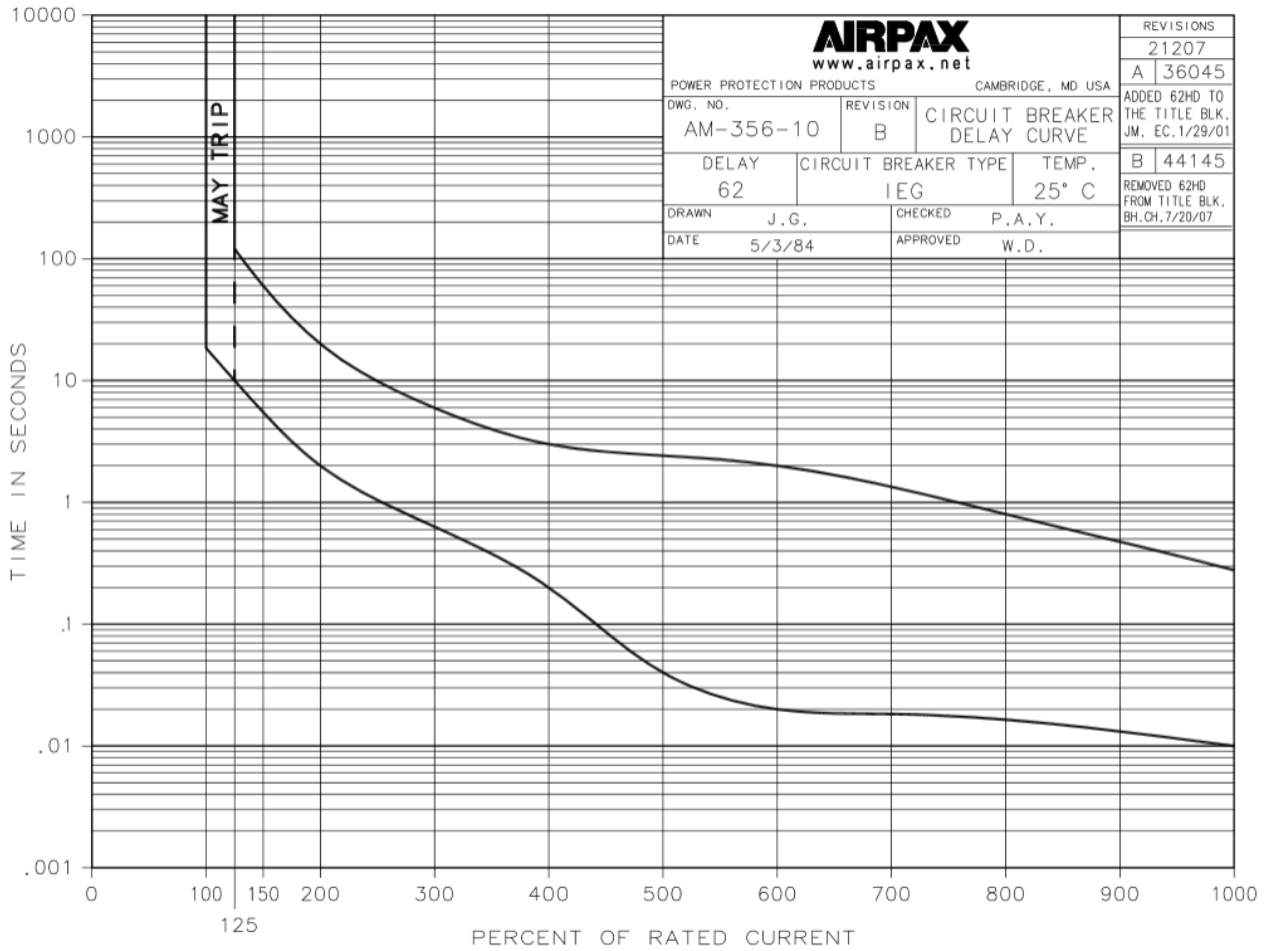


## Technical Specifications / Engineering Submittals

Raritan Model Number: PX3-5703-V2

rev20250210

### TRIP CURVE



C-1009-1 5/98 32556

This file generated on: Mon, February 10, 2025 - 00:18:52