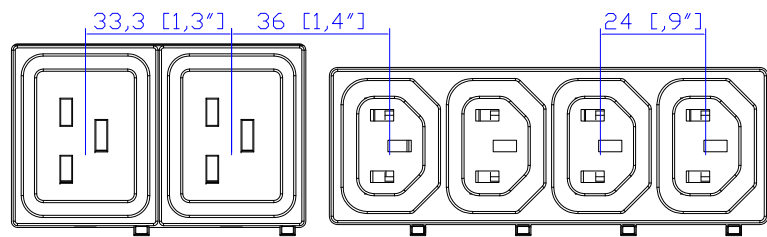


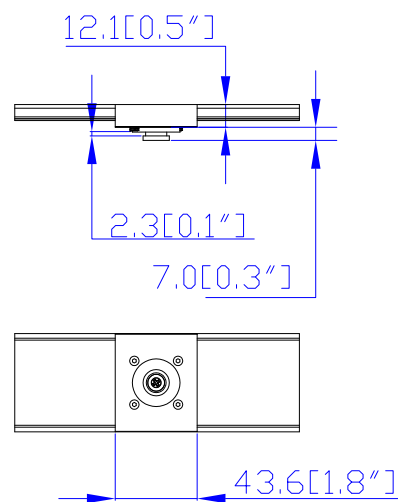
NEMA L22-30P

VIEW A

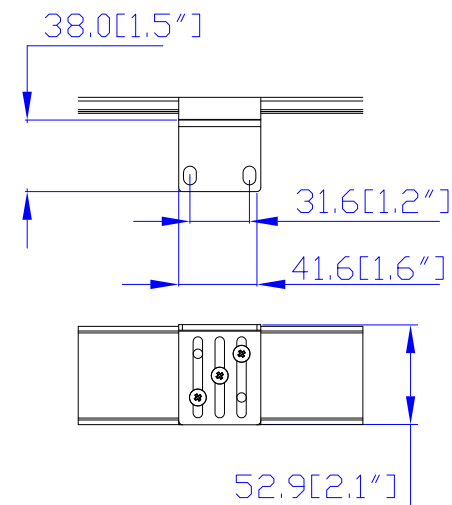


VIEW B

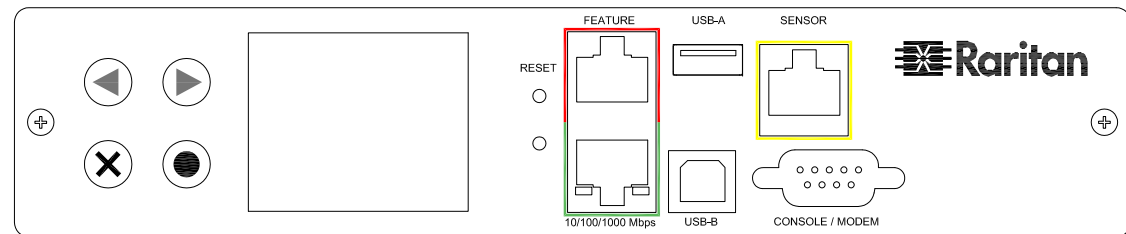
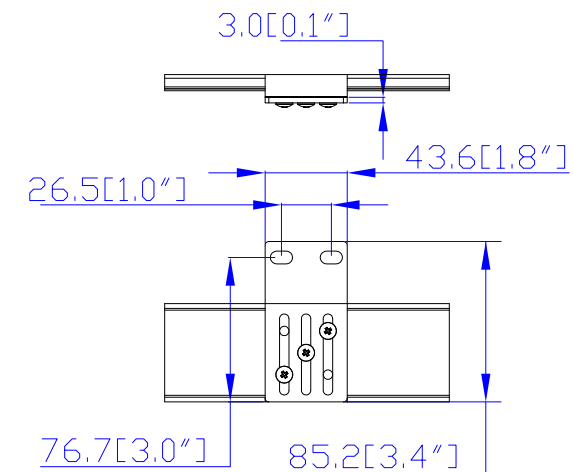
Option 1.



Option 2.

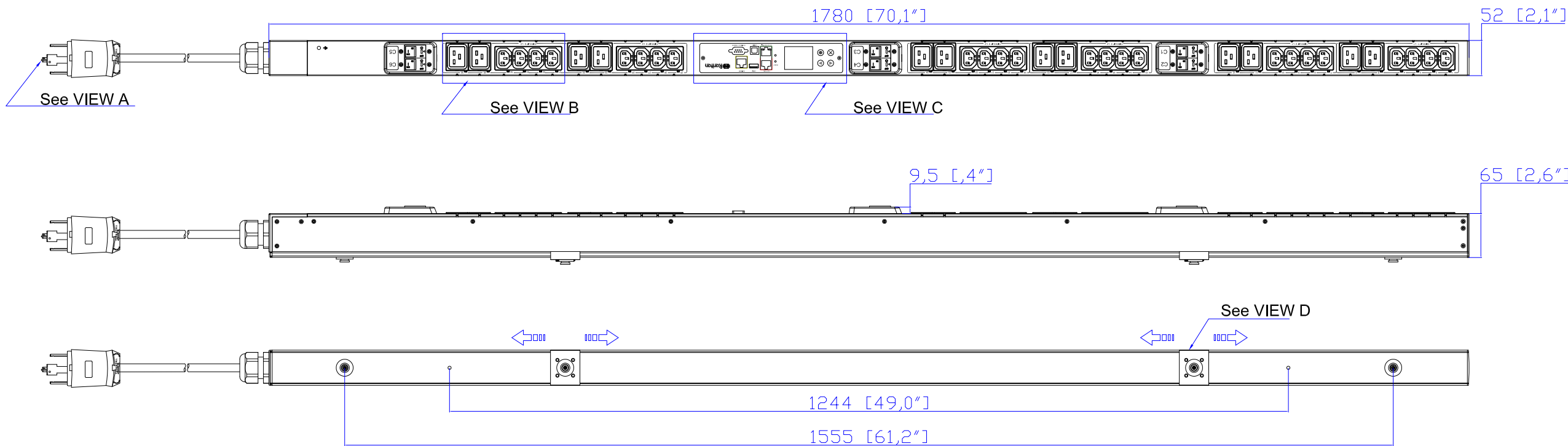


Option 3.



VIEW C

VIEW D



NOTES:
1. ALL DIMENSIONS ARE MILLIMETERS [INCHES].



Drawing Maker: EVA_Lin Feb. 01, 2016
 Design Engineer: Sam_L Feb. 01, 2016
 Approver: Tom_H Feb. 01, 2016



DO NOT SCALE DRAWING
SHEET 1 OF 1

THIS DRAWING AND SPECIFICATIONS HEREIN ARE THE PROPERTY OF RARITAN, INC. AND SHALL NOT BE COPIED, REPRODUCED OR USED, IN WHOLE OR IN PART, AS THE BASIS FOR THE MANUFACTURE OR SALE OF ITEMS WITHOUT WRITTEN PERMISSION FROM RARITAN, INC. THIS DRAWING IS BASED UPON LATEST AVAILABLE INFORMATION AND IS SUBJECT TO CHANGE WITHOUT NOTICE.

TITLE:
iPDU Zero U
Three Phase, 24A/360V-415V
Plug Type: NEMA L22-30P
Output Type: (24)IEC320 C13 & (12)IEC320 C19

DWG NO. MPX3-5731U-G1 & MPX3-4731U-G1
REV. 0A