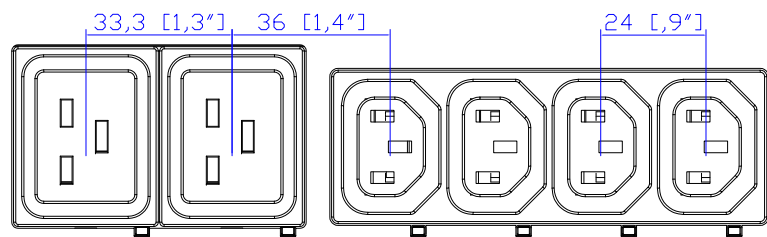
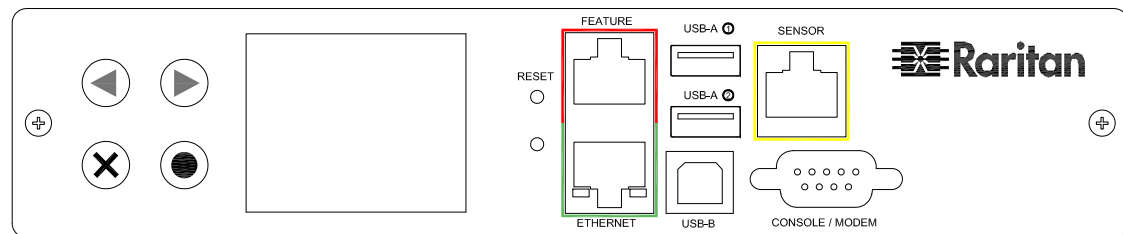


NEMA L22-30P

VIEW A

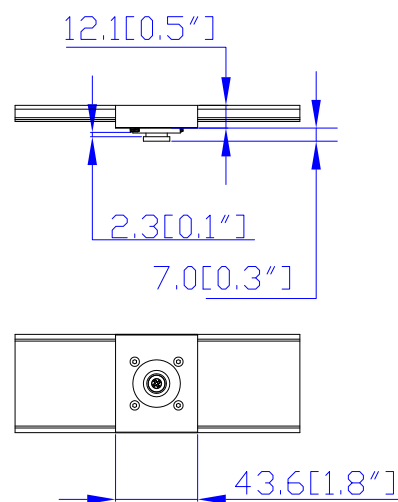


VIEW B

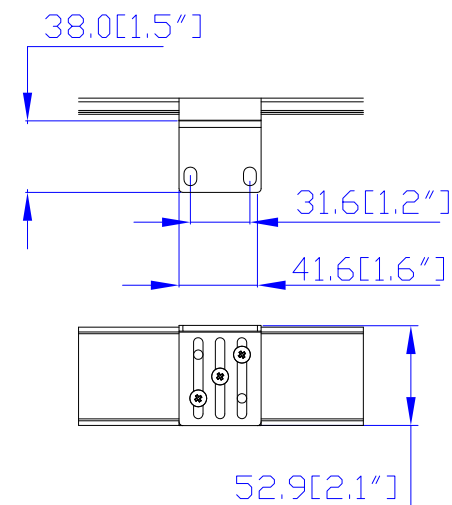


VIEW C

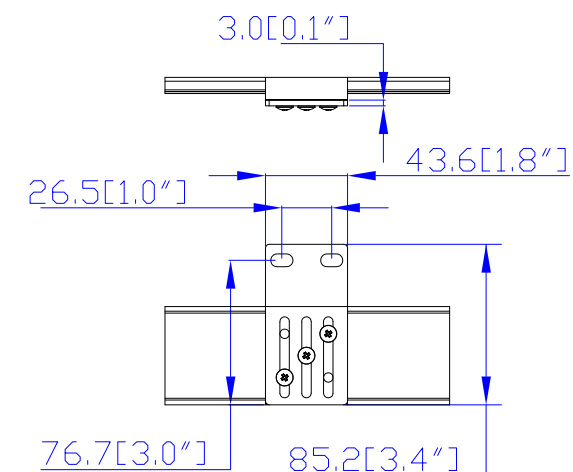
Option 1.



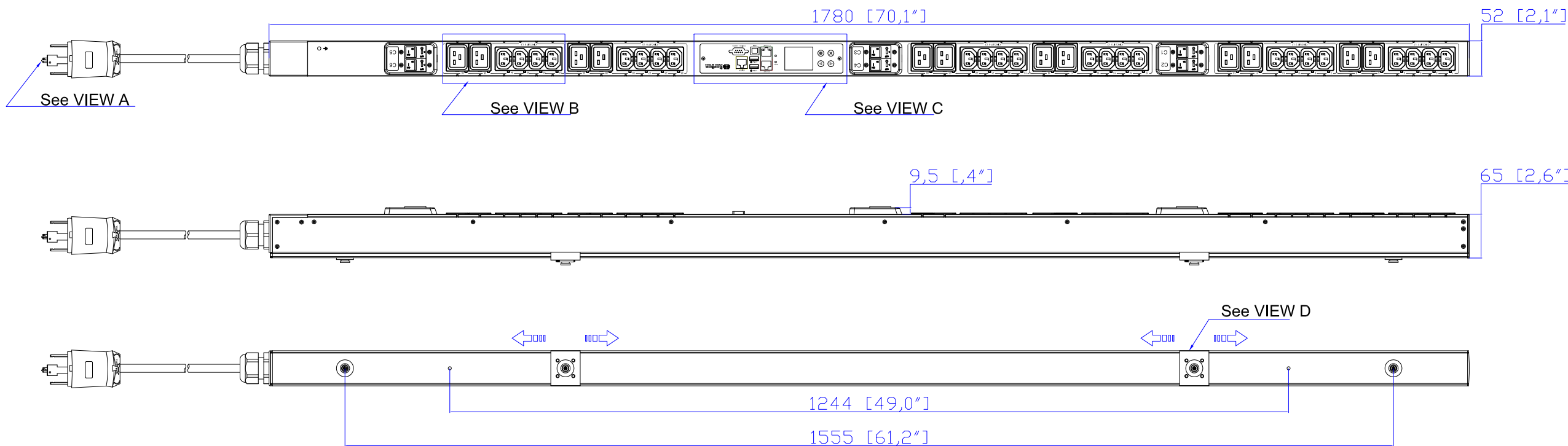
Option 2.



Option 3.



VIEW D



NOTES:  
1. ALL DIMENSIONS ARE MILLIMETERS [INCHES].



Drawing Maker:	EVA_Lin	Jul. 17, 2015
Design Engineer:	Sam_L	Jul. 17, 2015
Approver:	Tom_H	Jul. 17, 2015



DO NOT SCALE DRAWING  
SHEET 1 OF 1

THIS DRAWING AND SPECIFICATIONS HEREIN ARE THE PROPERTY OF RARITAN, INC. AND SHALL NOT BE COPIED, REPRODUCED OR USED, IN WHOLE OR IN PART, AS THE BASIS FOR THE MANUFACTURE OR SALE OF ITEMS WITHOUT WRITTEN PERMISSION FROM RARITAN, INC. THIS DRAWING IS BASED UPON LATEST AVAILABLE INFORMATION AND IS SUBJECT TO CHANGE WITHOUT NOTICE.

TITLE:  
iPDU Zero U  
Three Phase, 24A/360V-415V  
Plug Type: NEMA L22-30P  
Output Type: (24)IEC320 C13 & (12)IEC320 C19

DWG NO.  
MPX3-5731U & MPX3-4731U  
MPX3-5731U-M5 & MPX3-4731U-M5

REV.  
0A