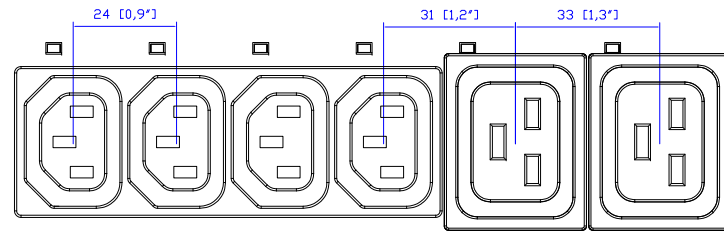
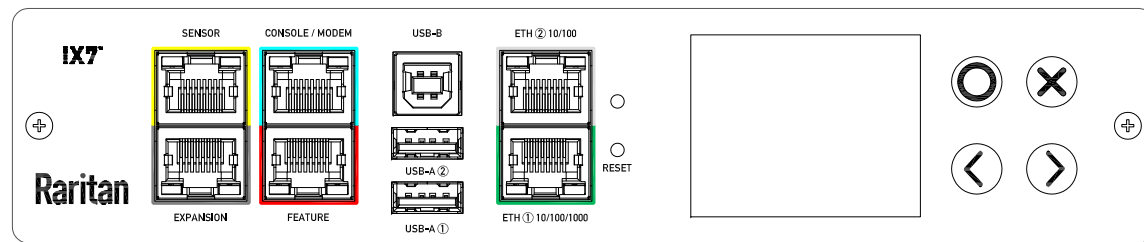


CS8365C

VIEW A

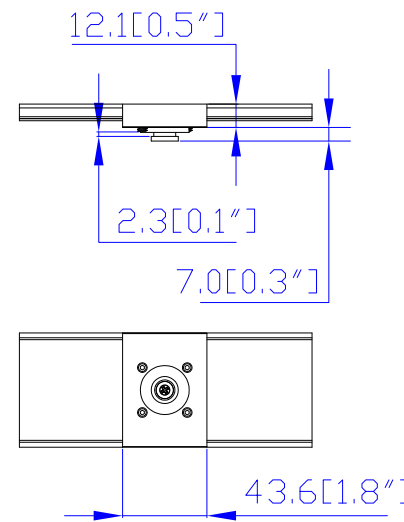


VIEW B

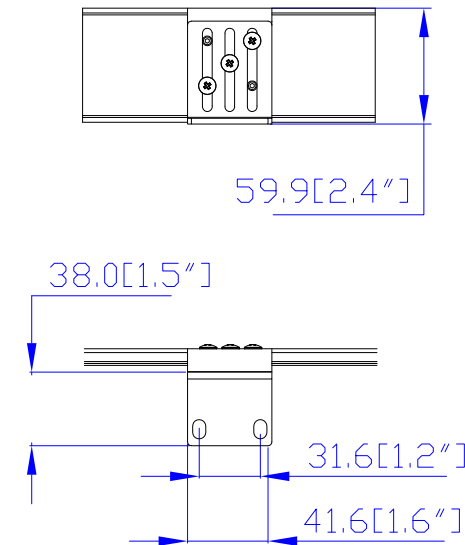


VIEW C

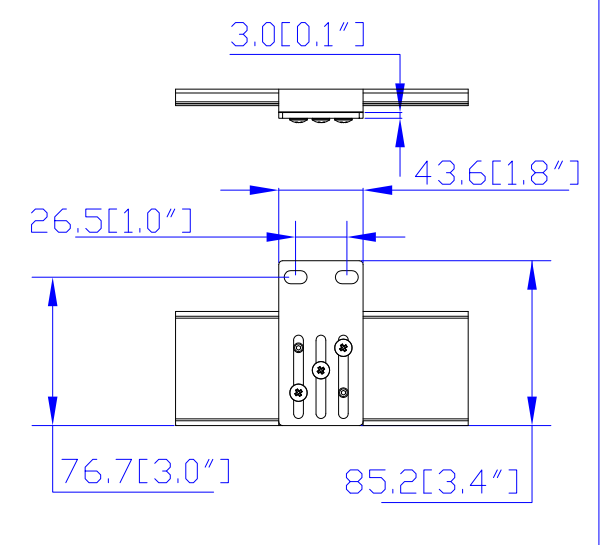
Option 1.



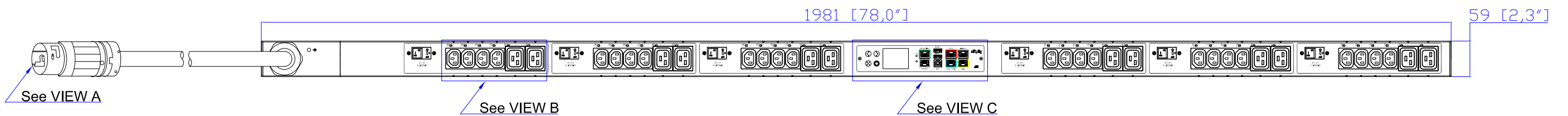
Option 2.



Option 3.



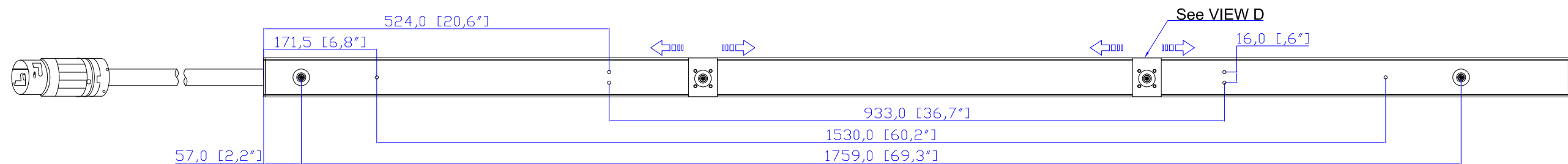
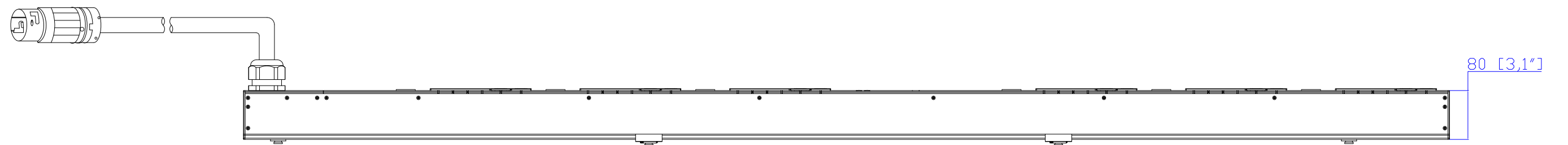
VIEW D



See VIEW A

See VIEW B

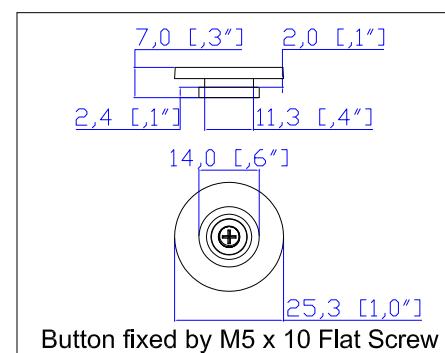
See VIEW C



See VIEW D

NOTES:

1. INSTALLATION SHALL COMPLY WITH ALL APPLICABLE NATIONAL, STATE AND LOCAL CODES.
2. PLEASE REFER TO PRODUCT DOCUMENTATION FOR FURTHER INFORMATION.
3. UNLESS OTHERWISE SPECIFIED, ALL DIMENSIONS ARE IN MILLIMETERS [INCHES].
4. MOUNTING BUTTON IS AN ALTERNATIVE MOUNTING METHOD TO THE TOOLLESS MOUNT FOR 3RD PARTY ENCLOSURE. BUTTON IS PROVIDED WITH THE UNIT. DETAILED INSTALLATION INSTRUCTIONS CAN BE FOUND IN THE PROVIDED MANUAL.
5. BRACKET KITS TO MOUNT TO SPECIFIC 3RD PARTY ENCLOSURES ARE AVAILABLE AS OPTIONS.
6. RARITAN STANDARD LENGTH OF THE CORD IS 3000MM +/- 70MM
7. DIMENSION TOLERANCE: LENGTH +/-3MM, WIDTH +/-1MM, DEPTH +/-0.5MM



Button fixed by M5 x 10 Flat Screw

**Raritan**  
A brand of **legrand**



PROJECTION  
THIRD ANGLE

DO NOT SCALE DRAWING

SHEET 1 OF 1

THIS DRAWING AND SPECIFICATIONS HEREIN ARE THE PROPERTY OF RARITAN, Inc. AND SHALL NOT BE COPIED, REPRODUCED OR USED, IN WHOLE OR IN PART, AS THE BASIS FOR THE MANUFACTURE OR SALE OF ITEMS WITHOUT WRITTEN PERMISSION FROM RARITAN, Inc. THIS DRAWING IS BASED UPON LATEST AVAILABLE INFORMATION AND IS SUBJECT TO CHANGE WITHOUT NOTICE.

TITLE:  
iPDU Zero U  
Three Phase, 40A/208-240V  
Plug Type: CS8365C  
Outlet Type: C13 (24), C19 (12)

DWG NO.  
MPX3-5749-V2 & MPX3-4749-V2

MODEL NO.  
**PX3-5749-V2 & PX3-4749-V2**

REV.  
**2A**

Drawing Maker: Tom Hsueh Feb. 11. 2019  
Design Engineer: Tom Hsueh Feb. 11. 2019  
Approver: Tom Hsueh Feb. 11. 2019