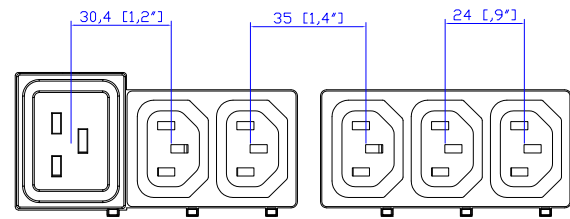


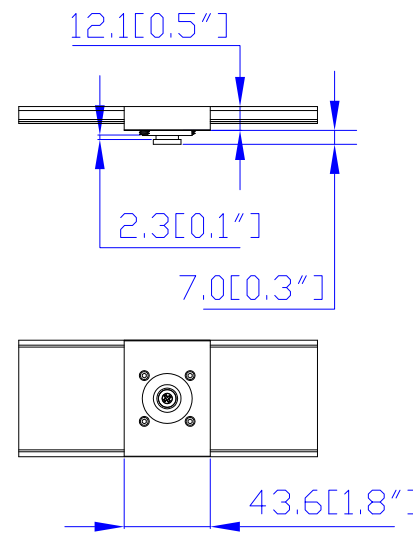
IEC60309 60/63A 3PY

VIEW A

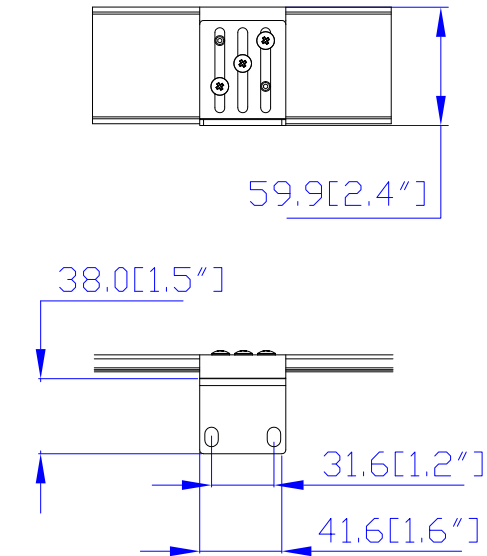


VIEW B

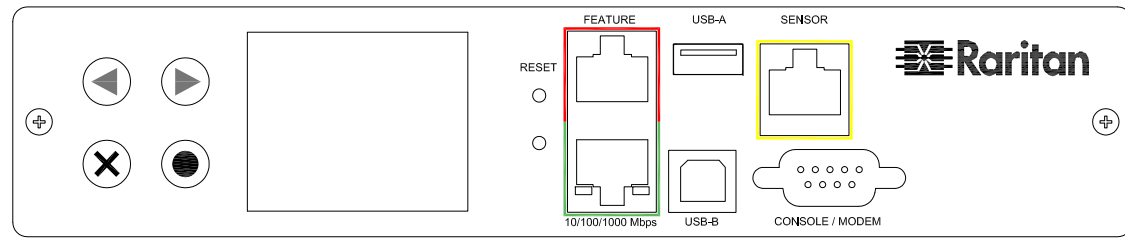
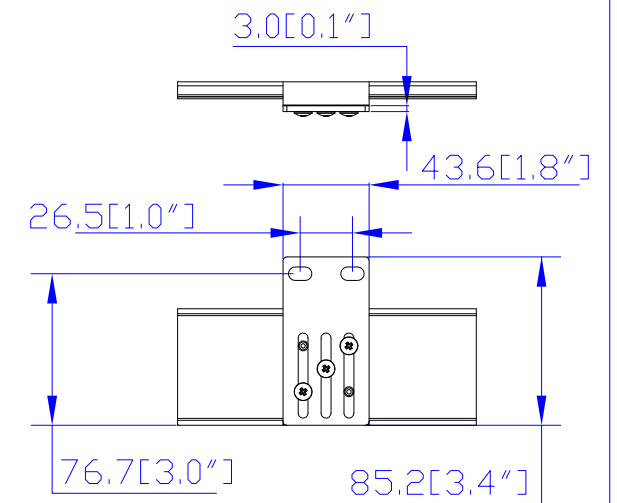
Option 1.



Option 2.

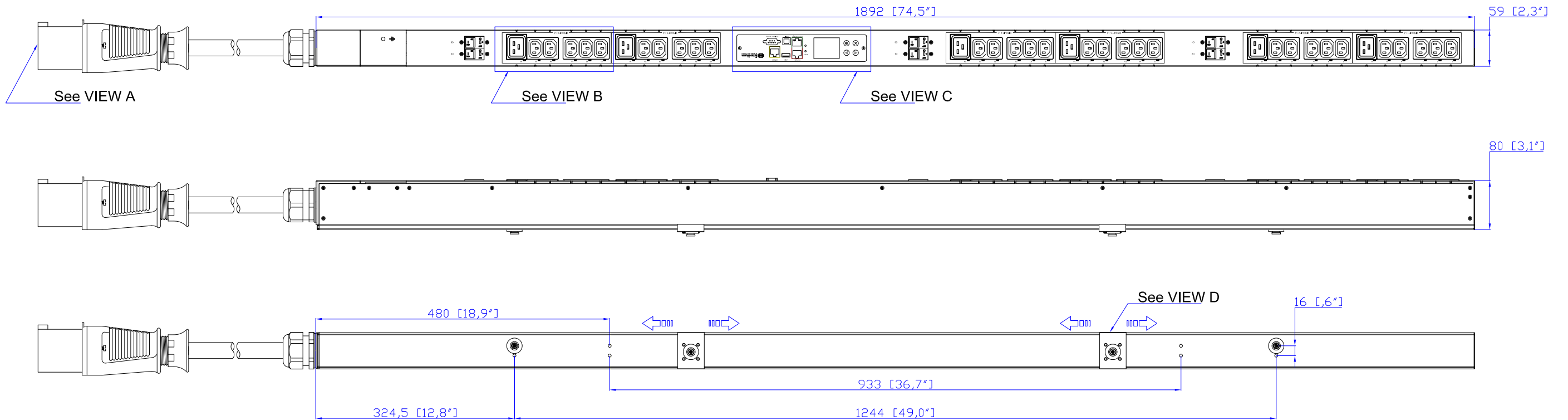


Option 3.



VIEW C

VIEW D



NOTES:
1.ALL DIMENSIONS ARE MILLIMETERS[INCHES].



DO NOT SCALE DRAWING

SHEET 1 OF 1

THIS DRAWING AND SPECIFICATIONS HEREIN ARE THE PROPERTY OF RARITAN, INC. AND SHALL NOT BE COPIED, REPRODUCED OR USED, IN WHOLE OR IN PART, AS THE BASIS FOR THE MANUFACTURE OR SALE OF ITEMS WITHOUT WRITTEN PERMISSION FROM RARITAN, INC. THIS DRAWING IS BASED UPON LATEST AVAILABLE INFORMATION AND IS SUBJECT TO CHANGE WITHOUT NOTICE.

TITLE:
iPDU Zero U
Three phase 40A / 380V-415V
Plug Type: IEC60309 60/63A 3PY
Outlet Type:(30) IEC320 C13,(6) IEC320 C19

Drawing Maker:	EVA LIN	May 10, 2016
Design Engineer:	Sam_L	May 10, 2016
Approver:	Tom_H	May 10, 2016

DWG NO. **MPX3-5830I2U-G1V2 & MPX3-4830I2U-G1V2** REV. **0A**