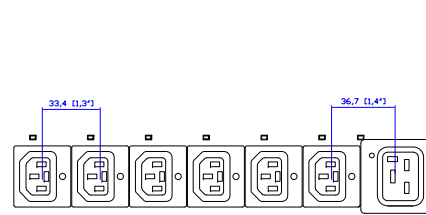
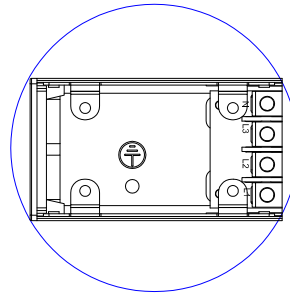


VIEW A



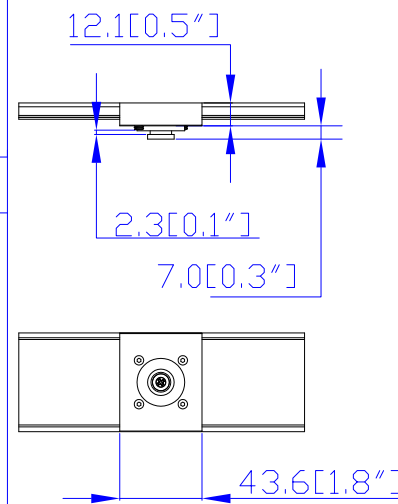
VIEW B



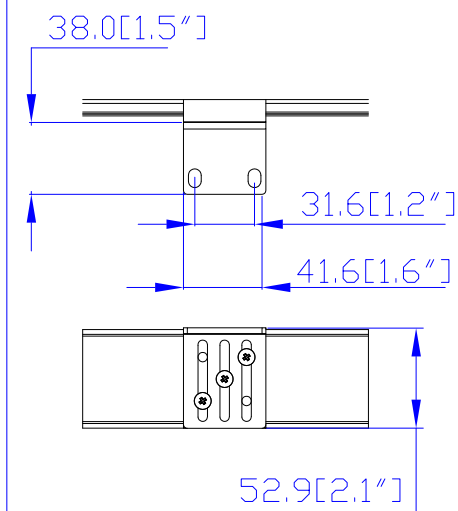
VIEW C

- 1. KST RNBS 5-5 or equivalent terminals for 10 AWG Wire
- 2. Inside diameter 5.3mm & Outside diameter 8.9mm terminal ring for M5 screw

Option 1.

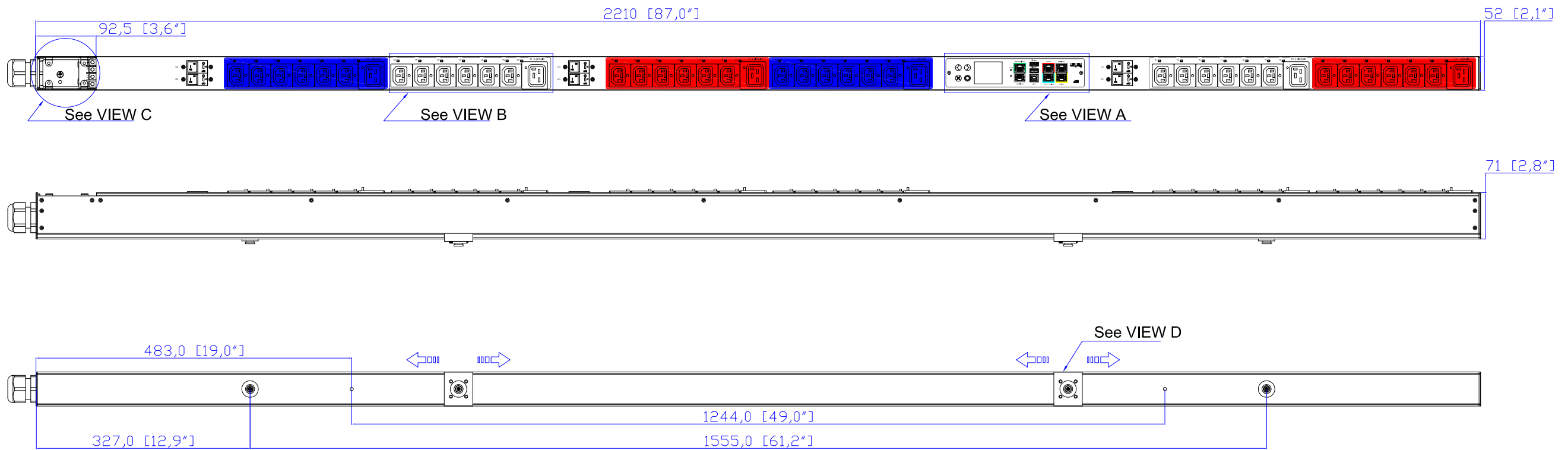
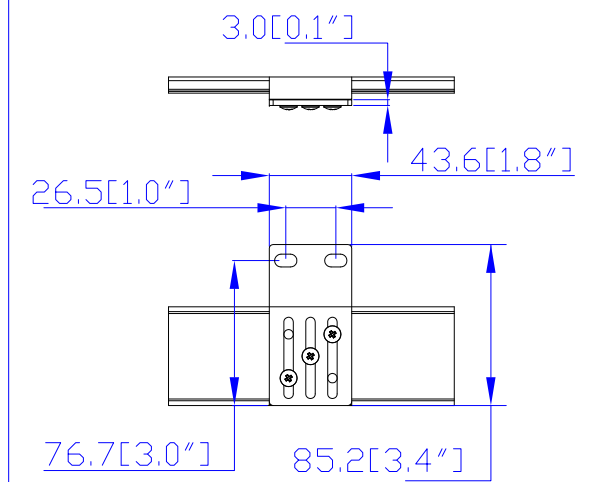


Option 2.

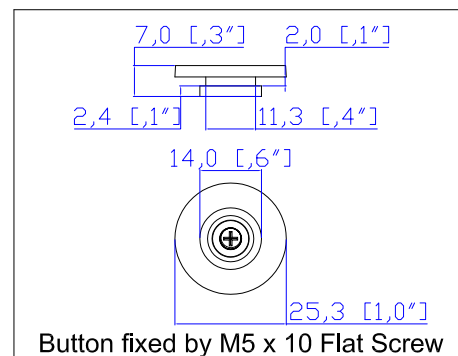


VIEW D

Option 3.



- NOTES:
1. INSTALLATION SHALL COMPLY WITH ALL APPLICABLE NATIONAL, STATE AND LOCAL CODES.
  2. PLEASE REFER TO PRODUCT DOCUMENTATION FOR FURTHER INFORMATION.
  3. UNLESS OTHERWISE SPECIFIED, ALL DIMENSIONS ARE IN MILLIMETERS [INCHES].
  4. MOUNTING BUTTON IS AN ALTERNATIVE MOUNTING METHOD TO THE TOOLLESS MOUNT FOR 3RD PARTY ENCLOSURE.
  5. BUTTON IS PROVIDED WITH THE UNIT. DETAILED INSTALLATION INSTRUCTIONS CAN BE FOUND IN THE PROVIDED MANUAL.
  6. BRACKET KITS TO MOUNT TO SPECIFIC 3RD PARTY ENCLOSURES ARE AVAILABLE AS OPTIONS.
  7. LENGTH OF THE CORD IS 3000MM +/- 70MM.
  8. REFER TO THE TABLE FOR DETAIL CORD LENGTH DEFINITION.



**Raritan**  
A brand of **Legrand**

Drawing Maker: Eva Lin May 16, 2017  
 Design Engineer: Kenny\_C May 16, 2017  
 Approver: Tom\_H May 16, 2017

PROJECTION THIRD ANGLE

DO NOT SCALE DRAWING  
**SHEET 1 OF 1**

THIS DRAWING AND SPECIFICATIONS HEREIN ARE THE PROPERTY OF RARITAN, Inc. AND SHALL NOT BE COPIED, REPRODUCED OR USED, IN WHOLE OR IN PART, AS THE BASIS FOR THE MANUFACTURE OR SALE OF ITEMS WITHOUT WRITTEN PERMISSION FROM RARITAN, Inc. THIS DRAWING IS BASED UPON LATEST AVAILABLE INFORMATION AND IS SUBJECT TO CHANGE WITHOUT NOTICE.

TITLE: iPDU Zero U  
 Three Phase, 32A/380-415V  
 Plug Type: 32A Terminal 3PY  
 Outlet Type: Locking C13 (36), Locking C19 (6)

DWG NO: MPX3-5872XV-E2P1V2 M5 & MPX3-4872XV-E2P1V2 M5

MODEL NO: PX3-5872XV-E2P1V2 & PX3-4872XV-E2P1V2  
 PX3-5872XV-E2M5P1V2 & PX3-4872XV-E2M5P1V2

REV. **2A**