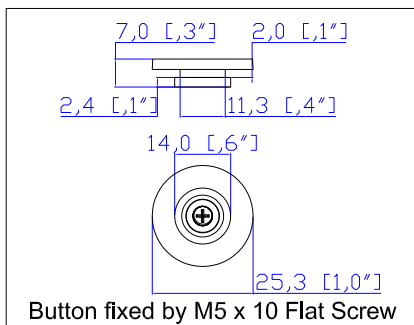


- NOTES:
1. INSTALLATION SHALL COMPLY WITH ALL APPLICABLE NATIONAL, STATE AND LOCAL CODES.
 2. PLEASE REFER TO PRODUCT DOCUMENTATION FOR FURTHER INFORMATION.
 3. UNLESS OTHERWISE SPECIFIED, ALL DIMENSIONS ARE IN MILLIMETERS (INCHES).
 4. MOUNTING BUTTON IS AN ALTERNATIVE MOUNTING METHOD TO THE TOOLLESS MOUNT FOR 3RD PARTY ENCLOSURE. BUTTON IS PROVIDED WITH THE UNIT. DETAILED INSTALLATION INSTRUCTIONS CAN BE FOUND IN THE PROVIDED MANUAL.
 5. BRACKET KITS TO MOUNT TO SPECIFIC 3RD PARTY ENCLOSURES ARE AVAILABLE AS OPTIONS.
 6. LENGTH OF THE CORD IS 3000MM +/- 70MM
 7. DIMENSION TOLERANCE: LENGTH +/- 3MM, WIDTH +/- 1MM, DEPTH +/- 0.5MM
 8. REFER TO THE TABLE FOR DETAIL CORD LENGTH DEFINITION



<p>Raritan A brand of Legrand</p>		PROJECTION THIRD ANGLE DO NOT SCALE DRAWING SHEET 1 OF 1	TITLE: iPDU Zero U Three phase 32A/380-415V Plug Type: IEC60309 32A 3PY Outlet Type: Locking C13 (36), Locking C19 (12)	
			DWG NO: MPX3-5909U-E2N1V2 M5 & MPX3-4909U-E2N1V2 M5 MODEL NO: PX3-5909U-E2N1V2 & PX3-4909U-E2N1V2 PX3-5909U-E2M5N1V2 & PX3-4909U-E2M5N1V2	
Drawing Maker: EVA_LIN Design Engineer: Siang_H Approver: Tom_H	Sep. 12, 2017 Sep. 12, 2017 Sep. 12, 2017	THIS DRAWING AND SPECIFICATIONS HEREIN ARE THE PROPERTY OF RARITAN, Inc. AND SHALL NOT BE COPIED, REPRODUCED OR USED, IN WHOLE OR IN PART, AS THE BASIS FOR THE MANUFACTURE OR SALE OF ITEMS WITHOUT WRITTEN PERMISSION FROM RARITAN, Inc. THIS DRAWING IS BASED UPON LATEST AVAILABLE INFORMATION AND IS SUBJECT TO CHANGE WITHOUT NOTICE.		REV. 2A