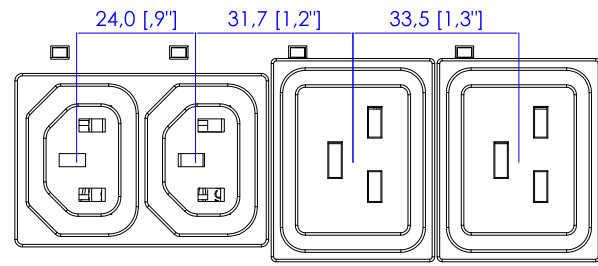


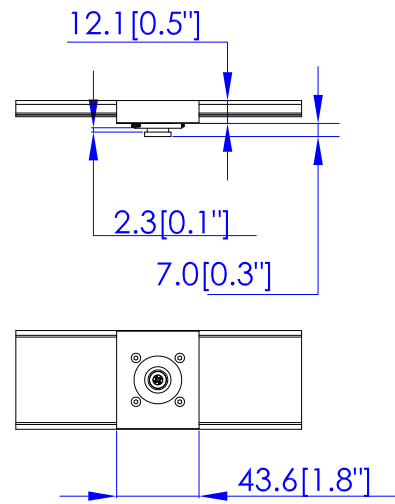
IEC60309 32A 3PY

VIEW A

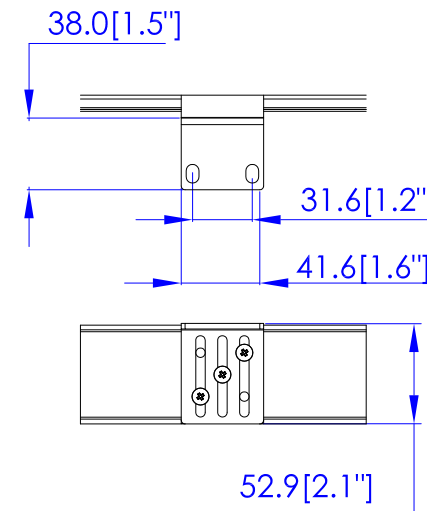


VIEW B

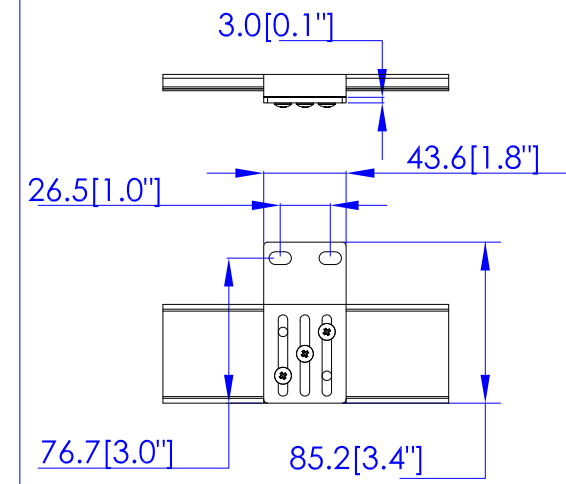
Option 1.



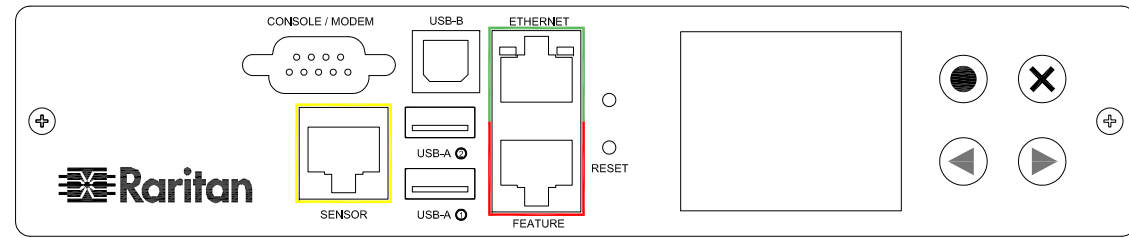
Option 2.



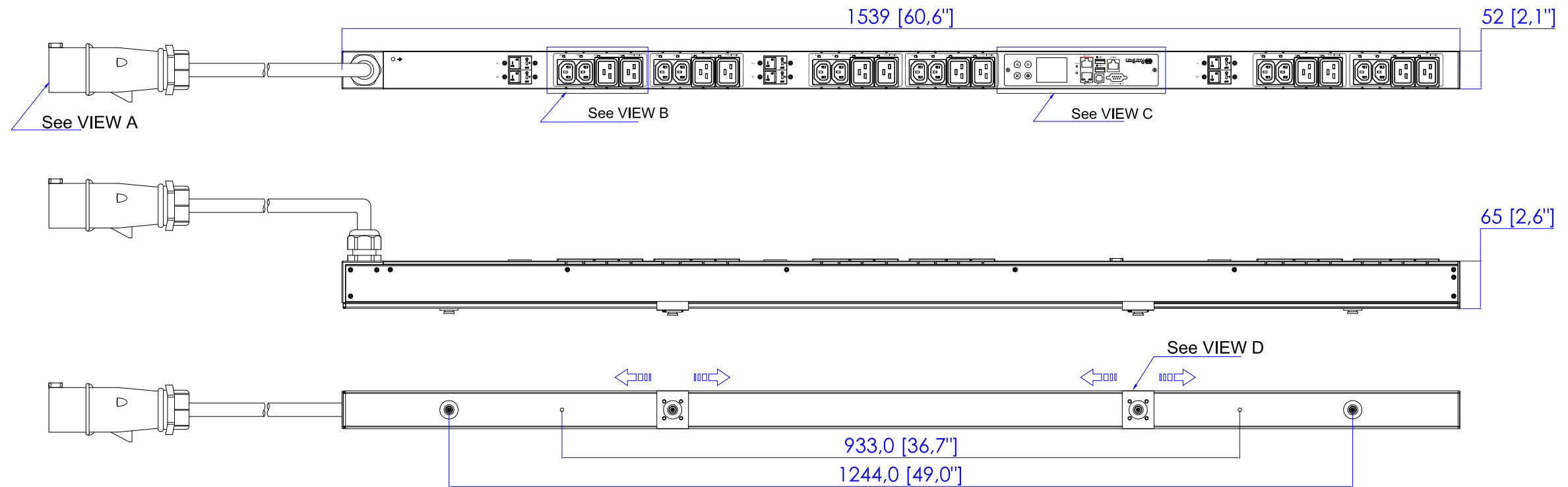
Option 3.



VIEW D



VIEW C



NOTES:  
1. ALL DIMENSIONS ARE MILLIMETERS [INCHES].



Drawing Maker: Eva Lin May 11, 2015  
Design Engineer: Sam\_L May 11, 2015  
Approver: Tom\_H May 11, 2015



DO NOT SCALE DRAWING  
SHEET 1 OF 1

THIS DRAWING AND SPECIFICATIONS HEREIN ARE THE PROPERTY OF RARITAN, Inc. AND SHALL NOT BE COPIED, REPRODUCED OR USED, IN WHOLE OR IN PART, AS THE BASIS FOR THE MANUFACTURE OR SALE OF ITEMS WITHOUT WRITTEN PERMISSION FROM RARITAN, Inc. THIS DRAWING IS BASED UPON LATEST AVAILABLE INFORMATION AND IS SUBJECT TO CHANGE WITHOUT NOTICE.

TITLE:  
iPDU Zero U  
Three Phase, 32A/380-415V  
Plug Type: IEC60309 32A 3PY  
Outlet Type: (12)IEC320 C13, (12)IEC320 C19

DWG NO. **MPX3-5917-V2N3** REV. **0A**