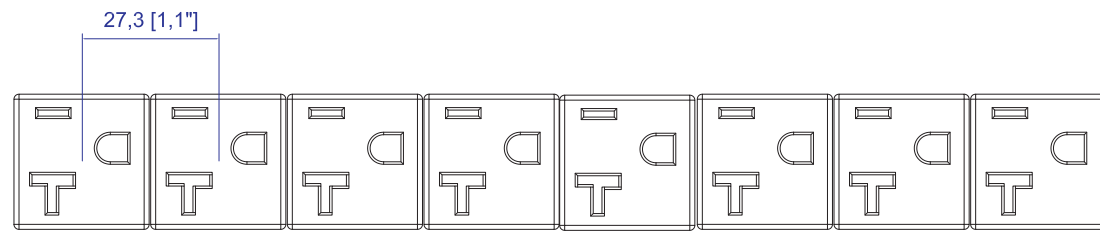


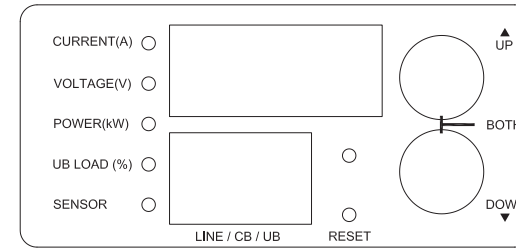


NEMA 5-15P

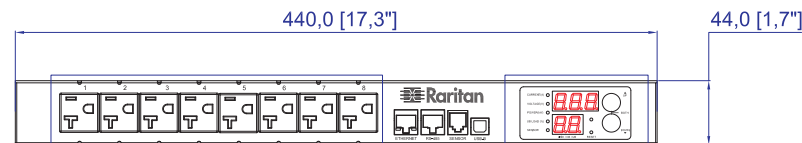
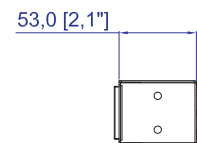
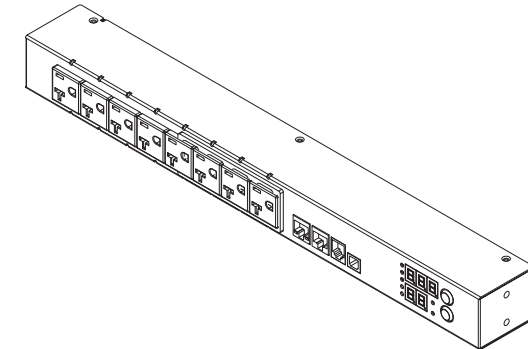
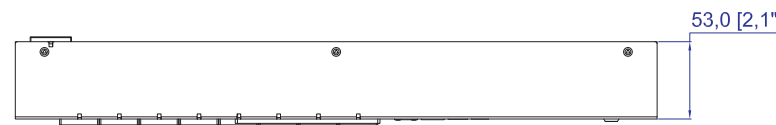
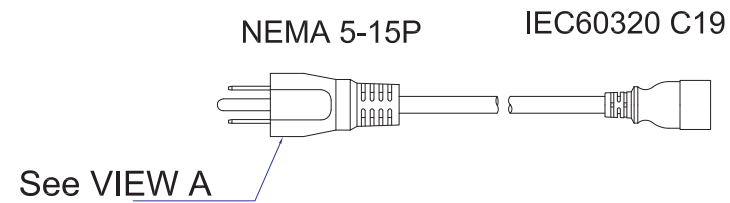
VIEW A



VIEW B

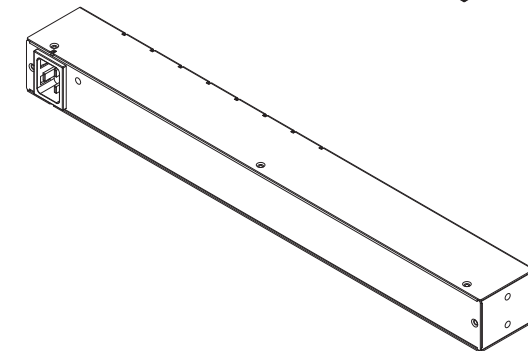


VIEW C



See VIEW B

See VIEW C



NOTES:
1. ALL DIMENSIONS ARE MILLIMETERS(INCHES).



PROJECTION
THIRD ANGLE

DO NOT SCALE DRAWING
SHEET 1 OF 1

THIS DRAWING AND SPECIFICATIONS HEREIN ARE THE PROPERTY OF RARITAN, INC. AND SHALL NOT BE COPIED, REPRODUCED OR USED, IN WHOLE OR IN PART, AS THE BASIS FOR THE MANUFACTURE OR SALE OF ITEMS WITHOUT WRITTEN PERMISSION FROM RARITAN, INC. THIS DRAWING IS BASED UPON LATEST AVAILABLE INFORMATION AND IS SUBJECT TO CHANGE WITHOUT NOTICE.

TITLE: iPDU One U,
Single Phase, 12A/100V-120V
Inlet Type: IEC60320 C20 ,
Plug Type: NEMA 5-15P ,
Outlet Type : (8)5-20R , 12A

DRAWN :	Eva LIN	Mar. 14, 2013
ENGINEER:	Sam_L	Mar. 14, 2013
APPROVED:	Tom_H	Mar. 14, 2013

DWG NO. **MPXE-1145R** REV. **A**