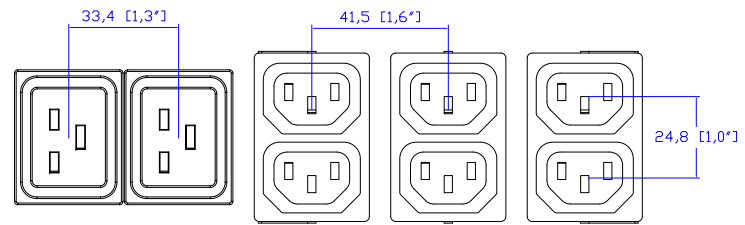
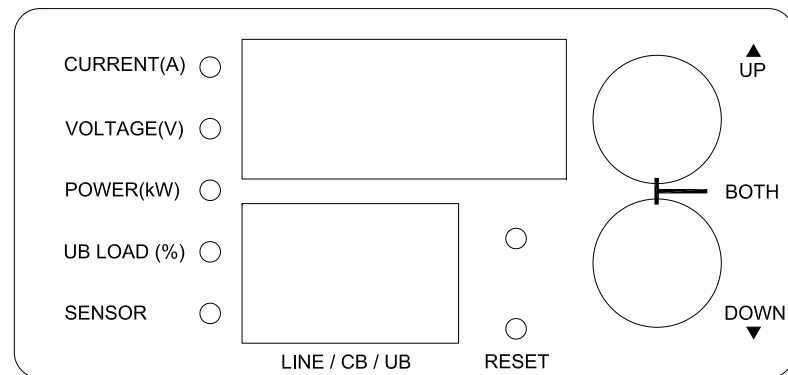


NEMA L6-30P PSE

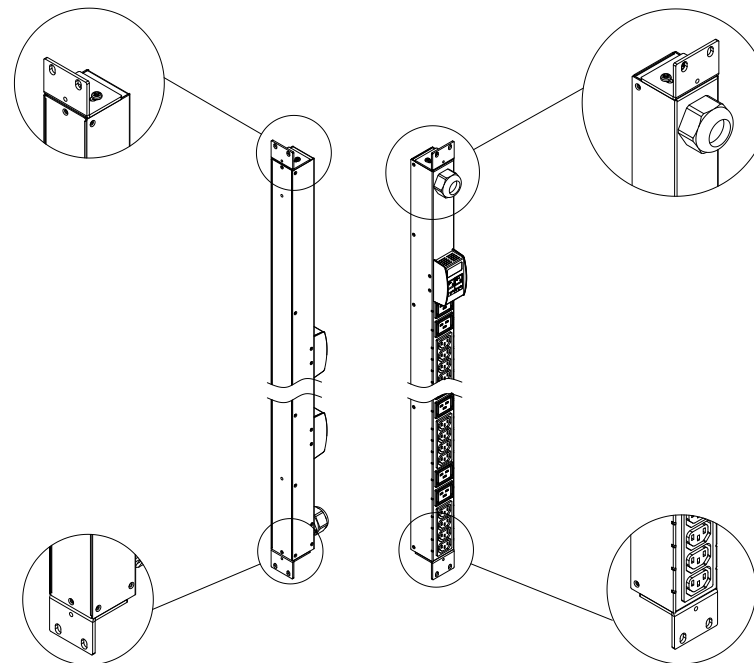
VIEW A



VIEW B

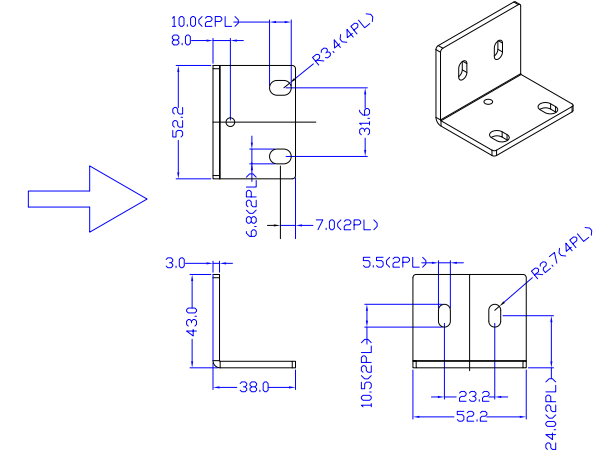


VIEW C



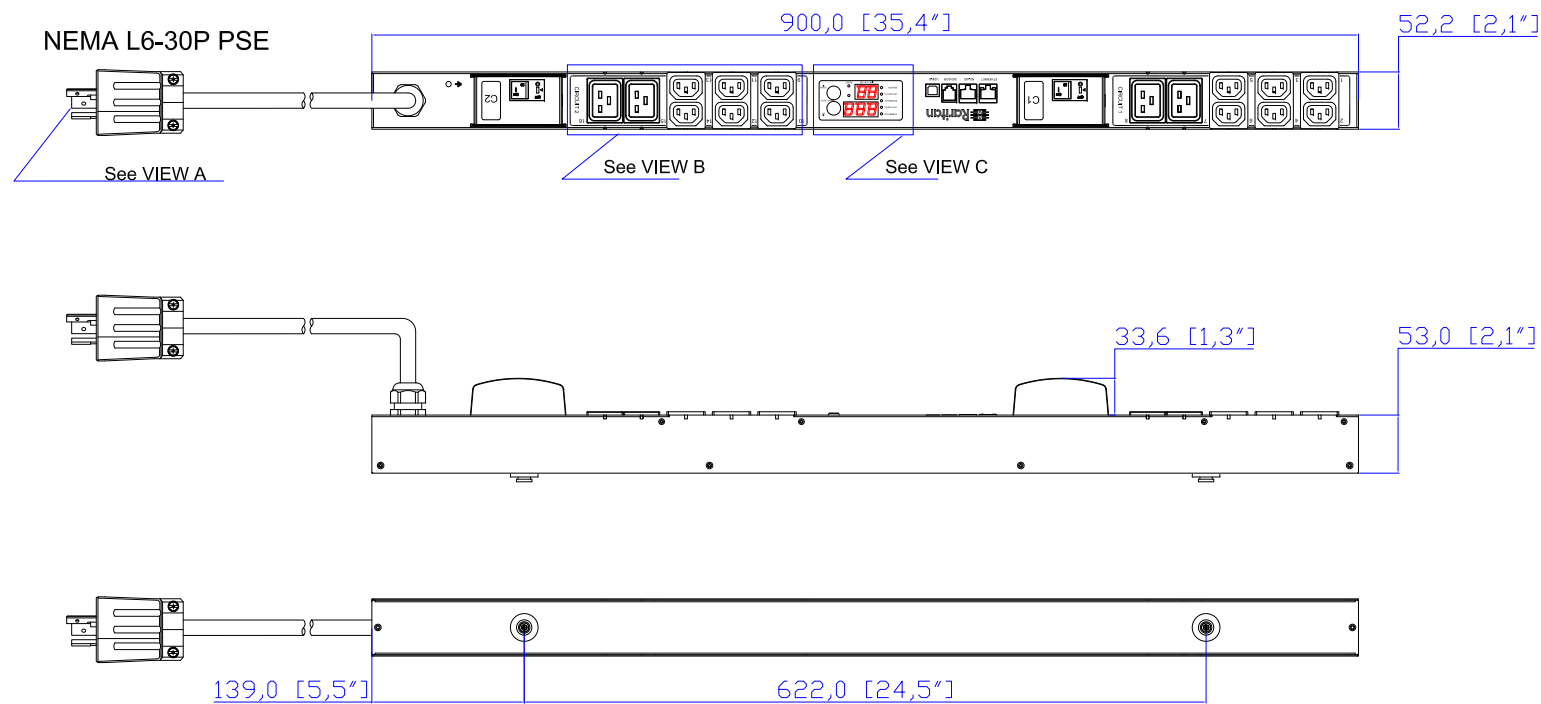
Option A

Option B



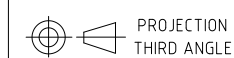
Rack mount L type detailed

Mounting options



NOTES:

1.ALL DIMENSIONS ARE MILLIMETERS[INCHES].



DO NOT SCALE DRAWING

SHEET 1 OF 1

THIS DRAWING AND SPECIFICATIONS HEREIN ARE THE PROPERTY OF RARITAN, Inc. AND SHALL NOT BE COPIED, REPRODUCED OR USED, IN WHOLE OR IN PART, AS THE BASIS FOR THE MANUFACTURE OR SALE OF ITEMS WITHOUT WRITTEN PERMISSION FROM RARITAN, Inc. THIS DRAWING IS BASED UPON LATEST AVAILABLE INFORMATION AND IS SUBJECT TO CHANGE WITHOUT NOTICE.

TITLE:
iPDU Zero U,
Single Phase, 30A/200V,
Plug Type : NEMA L6-30P PSE ,
Output Type:(12) IEC320 C13,(4) IEC320 C19

DWG NO.

MPXE-1384J-N1

REV.

A

DRAWN : EVALin May 08,2013

ENGINEER: Kenny_C May 08,2013

APPROVED: Tom_H May 08,2013