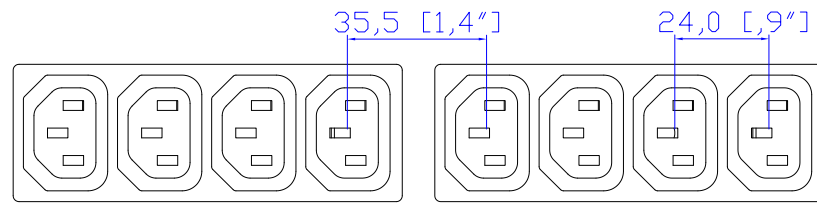
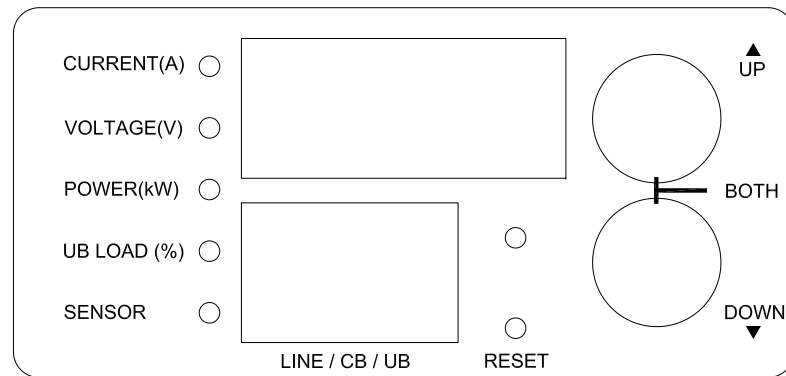


IEC60309 32A

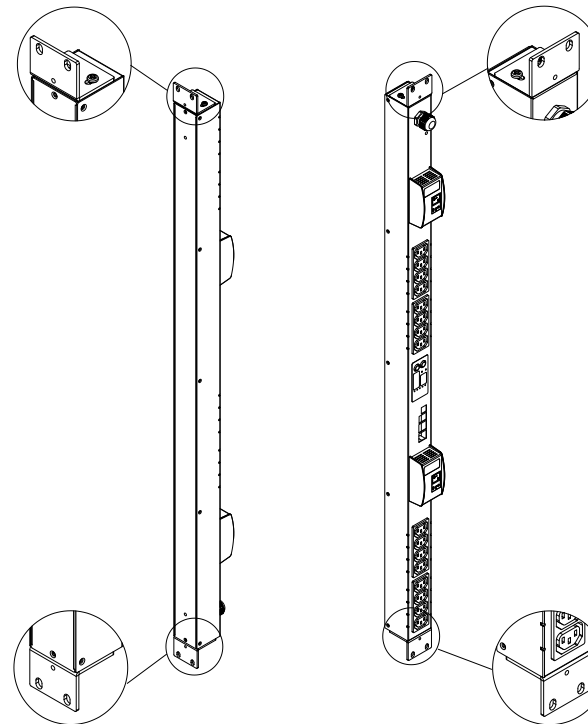
VIEW A



VIEW B

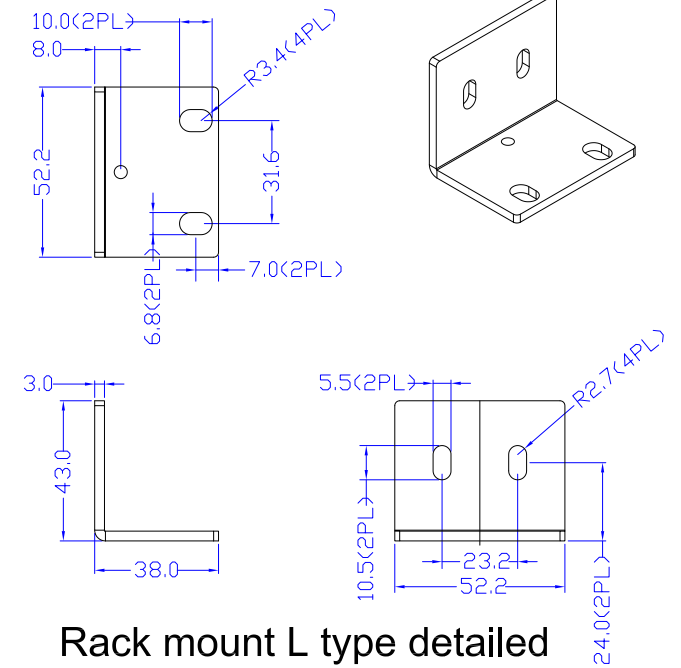
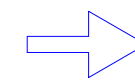


VIEW C



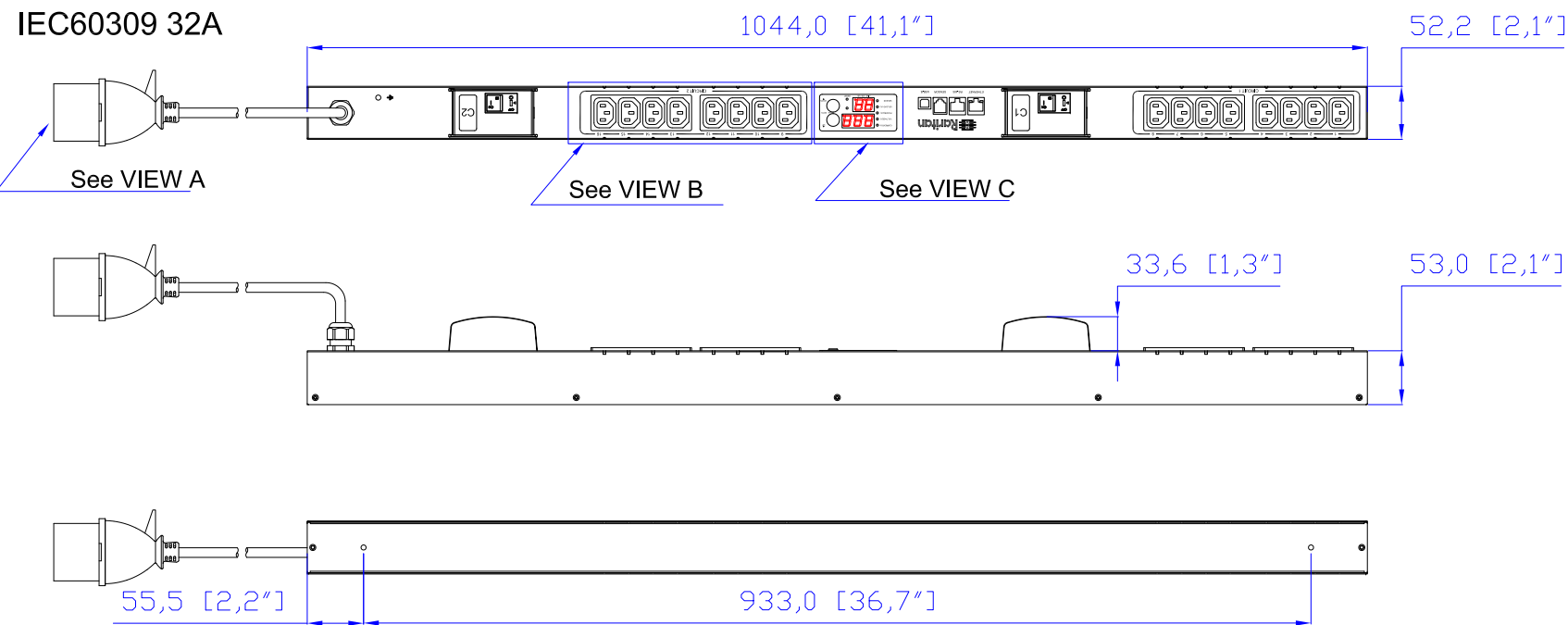
Option A

Option B



Rack mount L type detailed

Mounting options



NOTES:
1.ALL DIMENSIONS ARE MILLIMETERS[INCHES].



DRAWN : EVA Lin Aug. 15,2012
ENGINEER: Siang_H Aug. 15,2012
APPROVED: Tom_H Aug. 15,2012

PROJECTION THIRD ANGLE
DO NOT SCALE DRAWING
SHEET 1 OF 1

THIS DRAWING AND SPECIFICATIONS HEREIN ARE THE PROPERTY OF RARITAN, Inc. AND SHALL NOT BE COPIED, REPRODUCED OR USED, IN WHOLE OR IN PART, AS THE BASIS FOR THE MANUFACTURE OR SALE OF ITEMS WITHOUT WRITTEN PERMISSION FROM RARITAN, Inc. THIS DRAWING IS BASED UPON LATEST AVAILABLE INFORMATION AND IS SUBJECT TO CHANGE WITHOUT NOTICE.

TITLE: iPDU Zero U,
Single Phase, 32A/200V-240V,
Plug Type:IEC60309 32A
Outlet Type:(16) IEC320 C13

DWG NO. **MPXE-1392** REV. **A**