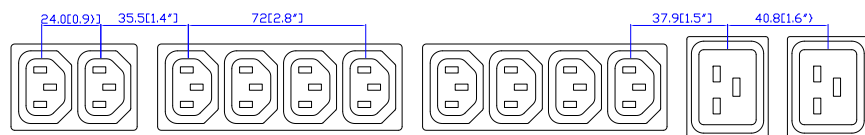
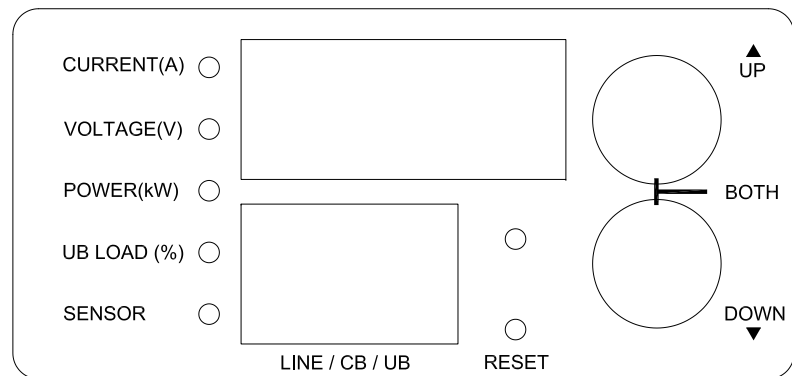


IEC60309 16A / 250V
P+N+PE

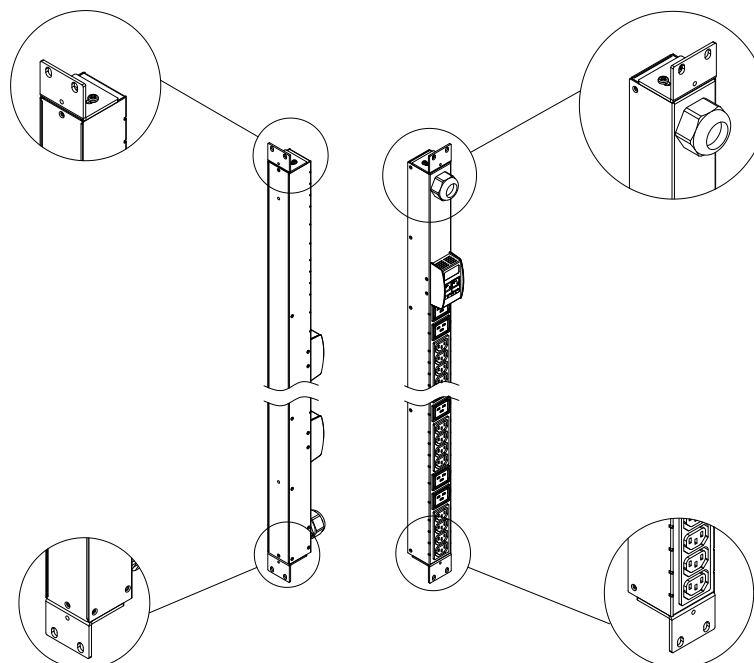
VIEW A



VIEW B

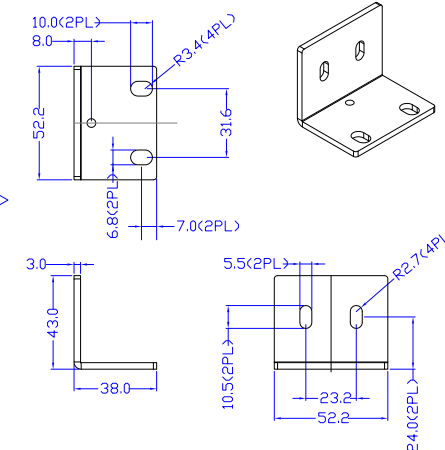
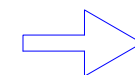


VIEW C



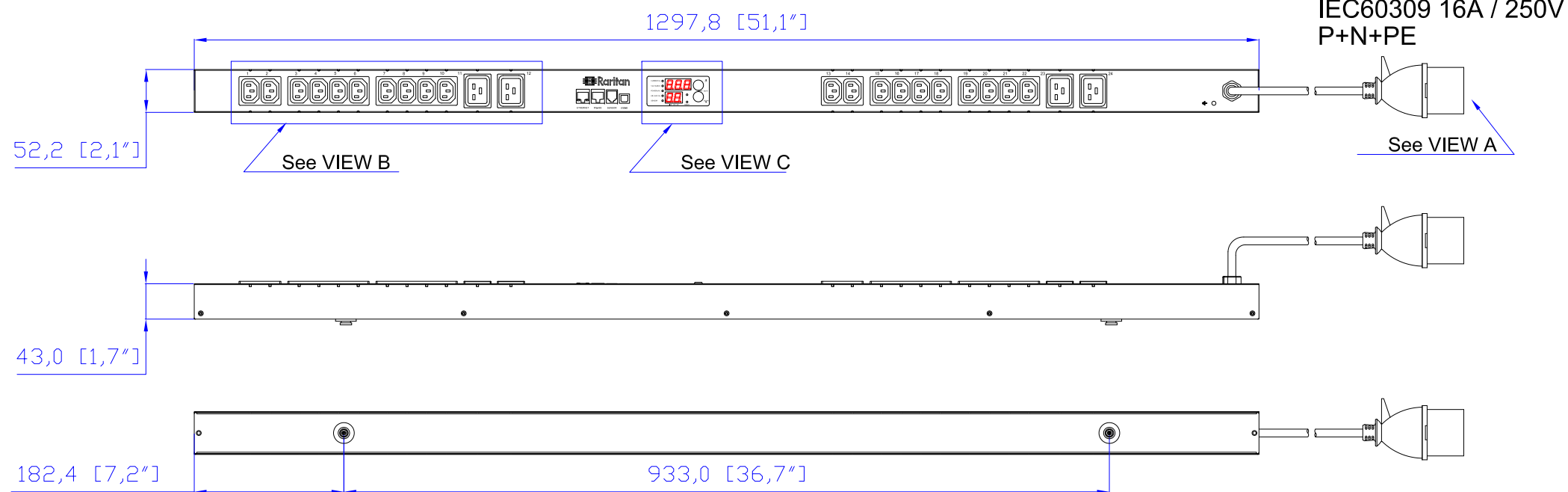
Option A

Option B



Rack mount L type detailed

Mounting options



NOTES:

1.ALL DIMENSIONS ARE MILLIMETERS[INCHES].



DRAWN : EVA Lin Spe.05,2011
ENGINEER: Kevin_L Spe.06,2011
APPROVED: Tom_H Spe.07,2011



DO NOT SCALE DRAWING

SHEET 1 OF 1

THIS DRAWING AND SPECIFICATIONS HEREIN ARE THE PROPERTY OF RARITAN, Inc. AND SHALL NOT BE COPIED, REPRODUCED OR USED, IN WHOLE OR IN PART, AS THE BASIS FOR THE MANUFACTURE OR SALE OF ITEMS WITHOUT WRITTEN PERMISSION FROM RARITAN, Inc. THIS DRAWING IS BASED UPON LATEST AVAILABLE INFORMATION AND IS SUBJECT TO CHANGE WITHOUT NOTICE.

TITLE:
iPDU Zero U,
Single Phase, 16A/200V-240V,
Plug Type :IEC60309 16A / 250V P+N+PE
Outlet Type :(20) IEC320 C13,(4)IEC320 C19

DWG NO. **MPXE-1488**

REV. **A**