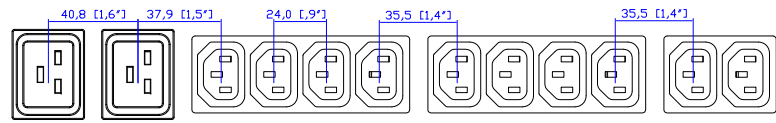
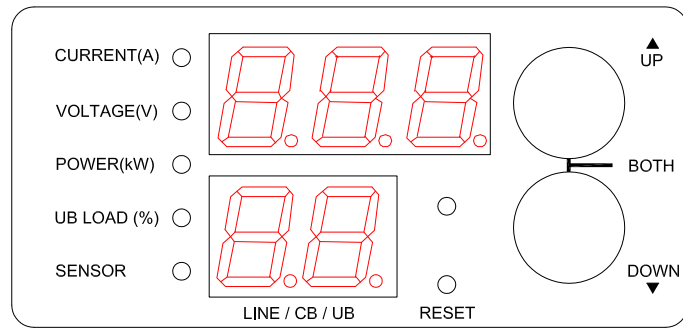


IEC60309 32A

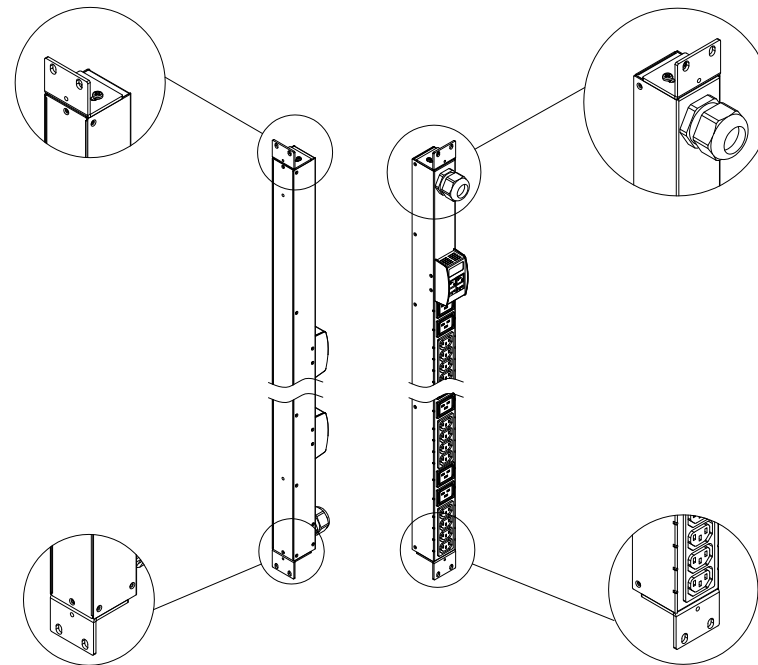
VIEW A



VIEW B

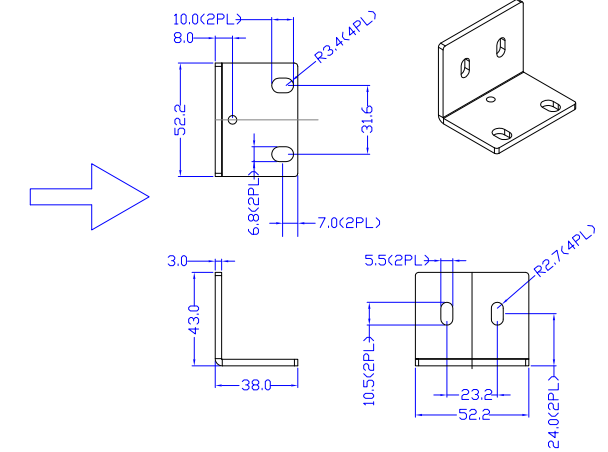


VIEW C



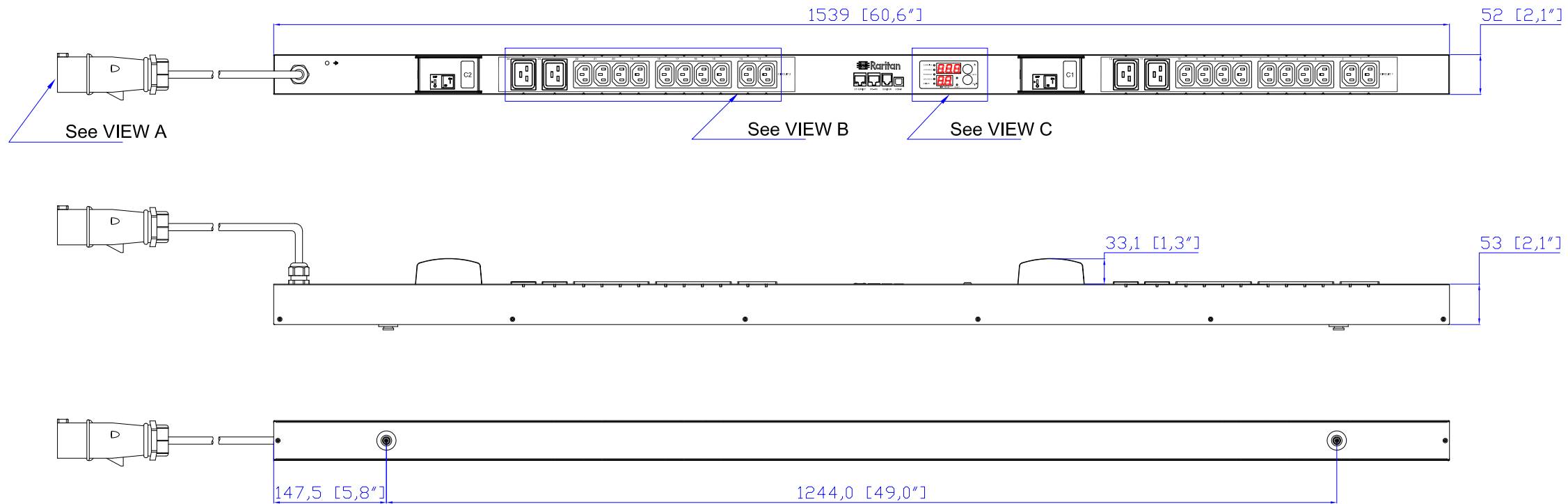
Option A

Option B



Rack mount L type detailed

Mounting options



NOTES:

1.ALL DIMENSIONS ARE MILLIMETERS[INCHES].



Drawing Maker:	EVA Lin	Jul. 18, 2016
Design Engineer:	Siang_H	Jul. 18, 2016
Approver:	Tom_H	Jul. 18, 2016



PROJECTION  
THIRD ANGLE

DO NOT SCALE DRAWING

SHEET 1 OF 1

THIS DRAWING AND SPECIFICATIONS HEREIN ARE THE PROPERTY OF RARITAN, Inc. AND SHALL NOT BE COPIED, REPRODUCED OR USED, IN WHOLE OR IN PART, AS THE BASIS FOR THE MANUFACTURE OR SALE OF ITEMS WITHOUT WRITTEN PERMISSION FROM RARITAN, Inc. THIS DRAWING IS BASED UPON LATEST AVAILABLE INFORMATION AND IS SUBJECT TO CHANGE WITHOUT NOTICE.

TITLE:

iPDU Zero U  
Single Phase, 32A/200-240V  
Plug Type:IEC60309 32A  
Outlet Type:(20) IEC320 C13,(4)IEC320 C19

DWG NO.

**MPXE-1493T**

REV.

**0A**