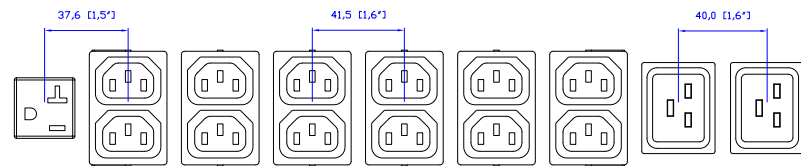
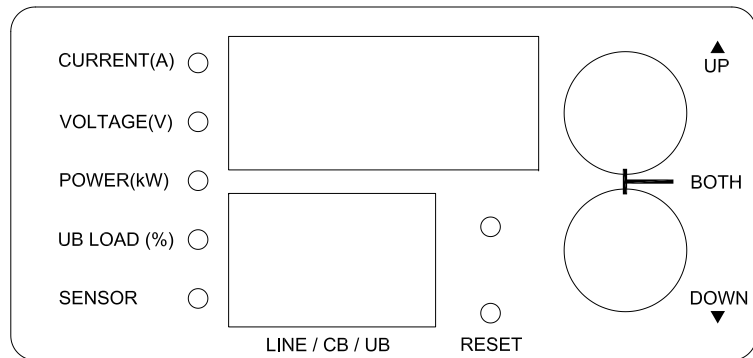


NEMA L21-20P

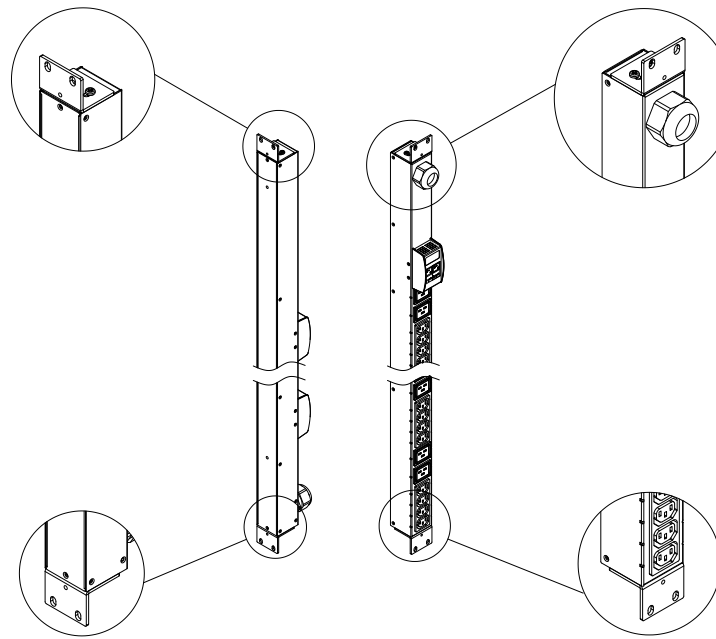
VIEW A



VIEW B

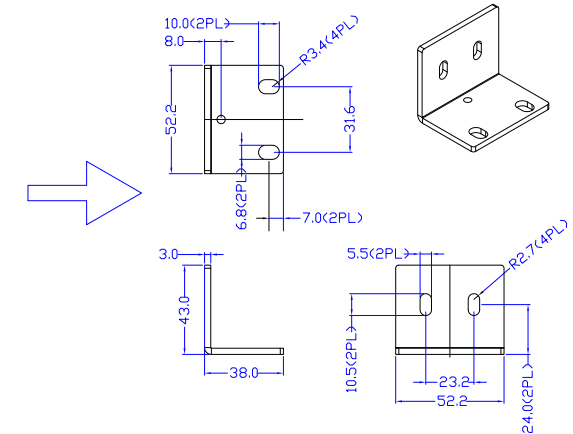


VIEW C



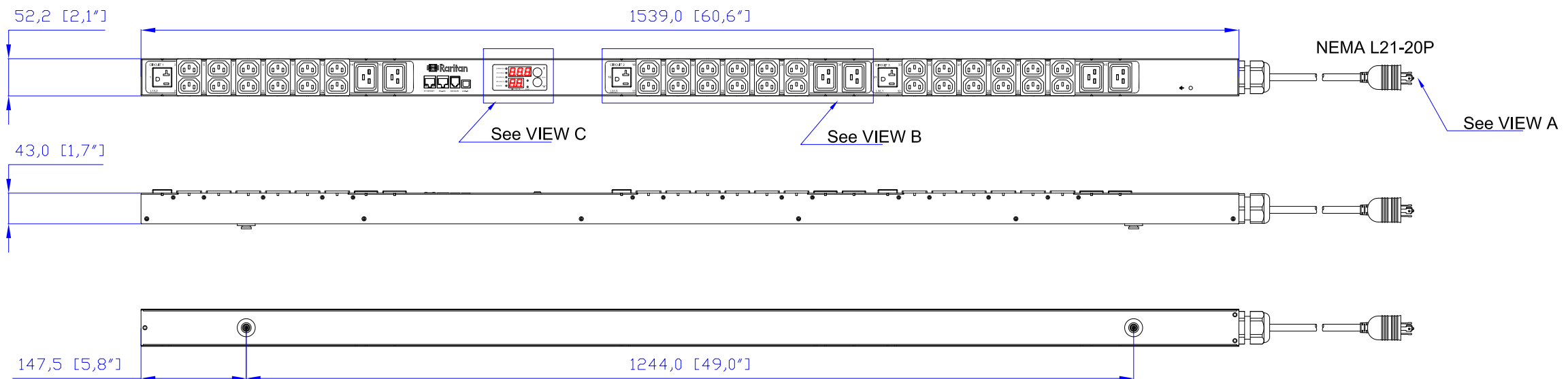
Option A

Option B



Rack mount L type detailed

Mounting options



NOTES:  
1. ALL DIMENSIONS ARE MILLIMETERS [INCHES].



PROJECTION  
THIRD ANGLE

DO NOT SCALE DRAWING

SHEET 1 OF 1

THIS DRAWING AND SPECIFICATIONS HEREIN ARE THE PROPERTY OF RARITAN, INC. AND SHALL NOT BE COPIED, REPRODUCED OR USED, IN WHOLE OR IN PART, AS THE BASIS FOR THE MANUFACTURE OR SALE OF ITEMS WITHOUT WRITTEN PERMISSION FROM RARITAN, INC. THIS DRAWING IS BASED UPON LATEST AVAILABLE INFORMATION AND IS SUBJECT TO CHANGE WITHOUT NOTICE.

TITLE: iPDU Zero U,  
Three Phase, 16A/190V-208V,  
Plug Type:NEMA L21-20P  
Outlet Type:190V-208V:  
IEC320 C13(36), IEC320 C19 (6)  
110V-120V: 5-20R (3)

DWG NO. **MPXE-1771V**

REV. **A**

DRAWN : EVA Lin	Mar. 04,2013
ENGINEER: Kenny_C	Mar. 04,2013
APPROVED: Tom_H	Mar. 04,2013