

Technical Specifications / Engineering Submittals

Raritan Model Number: PXE-1966

rev20180131

LINE DRAWING



FEATURES

Energy Metering	Voltage (V), Current (A), Active Power (kW), Real Power (kVA), Energy (kWh), Power Factor
Metering Accuracy	ISO/IEC 62053-21 1%
Metering per Input Line	Yes
Metering per Branch Circuit Breaker	No
Metering per Output Receptacle	No
Remote Outlet Switching	No
Environmental Sensor Ready	Yes
Replaceable Controller	No
Compatible Sensors	Temperature, Humidity, Air Flow, Differential Pressure, Water Leak, and Contact Closure
Networking	(10/100 BaseT) Ethernet port. Optional WiFi (802.11a/b/g/n)
Remote Management	HTTP(s); SSH; Telnet; RS-232 (Serial); Power IQ; SNMP version v2/v3; SMTP; JSON-RPC
Cascading	No
Onboard Display	3-digit LED user-selectable display : Voltage, current, or active power (per line)
Embedded Processor	ARM9 400MHZ (Atmel SAM9G20), 16MB SPI Flash, 64MB SDRAM

Technical Specifications / Engineering Submittals

Raritan Model Number: PXE-1966

rev20180131

INPUT

Input Plug	IEC 60309 3P+N+E 6h 16A (4P5W)
Cord Length	3 meters (9.84 feet) standard
Cord Entry	Bottom-front feed
Cable Type	IP44("splashproof")
Number of Power Cords	1
Maximum Input Current	16A
Nominal Input Voltage	400V 3 phase
Rated Input Voltage	380 - 415V 3 phase
Input Frequency	50/60Hz
Power Capacity	10.6kVA at 380V, 11.5kVA at 415V

OUTPUT

Nominal Output Voltage	230V
Rated Output Voltage	220 - 240V
Receptacles (Output Connections)	(36) IEC320 C13, 10A (6) IEC320 C19, 16A
Securelock Support	Yes
Cord Retention	Yes
Overload Protection	N/A

PHYSICAL

Color	Black powder coat (custom colors available)
Unit Dimensions (WxDxH)	2.1" x 1.7" x 70.1" ; 52mm x 43mm x 1780mm
Unit Weight	5.5 kg
Shipping Weight	8 kg
Shipping Dimensions (WxDxH)	11.22" x 4.53" x 75.39" ; 285mm x 115mm x 1915mm
Mounting	RACK-KIT-PX2-1K-ZU

Technical Specifications / Engineering Submittals

Raritan Model Number: PXE-1966

rev20180131

ENVIRONMENTAL

Operating Temperature 50°C

Operating Relative Humidity 85%

Operating Elevation 0-10000ft

CONFORMANCE

Regulatory Approvals CE, Canada ICES-003, Part 15 Class A of the FCC rules,
RoHS compliant

Warranty Standard 2 years manufacturer warranty

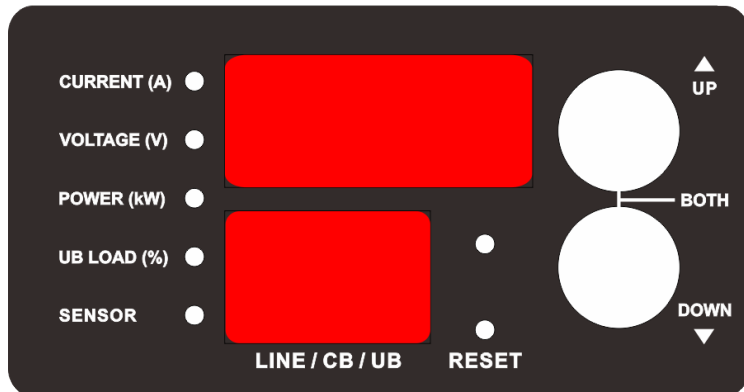
Technical Specifications / Engineering Submittals

Raritan Model Number: PXE-1966

rev20180131

CONTROL PANEL

Dimension: 76mm x 40mm

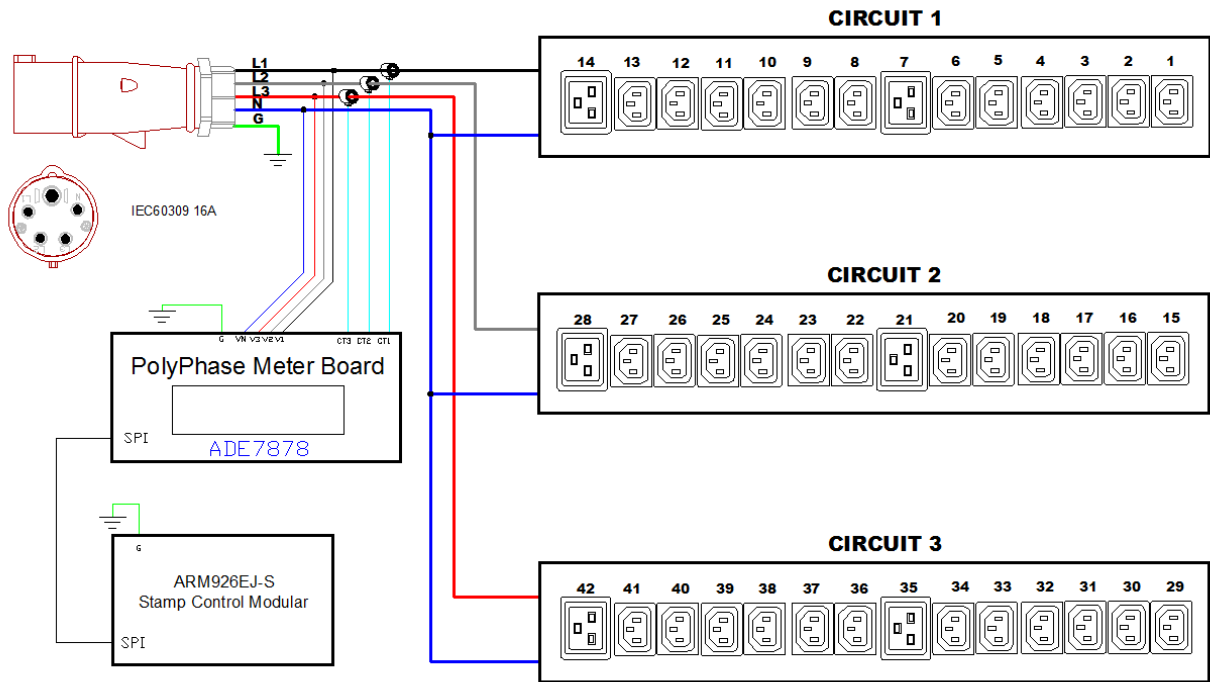


Technical Specifications / Engineering Submittals

Raritan Model Number: PXE-1966

rev20180131

ELECTRICAL (ONE LINE) DIAGRAM

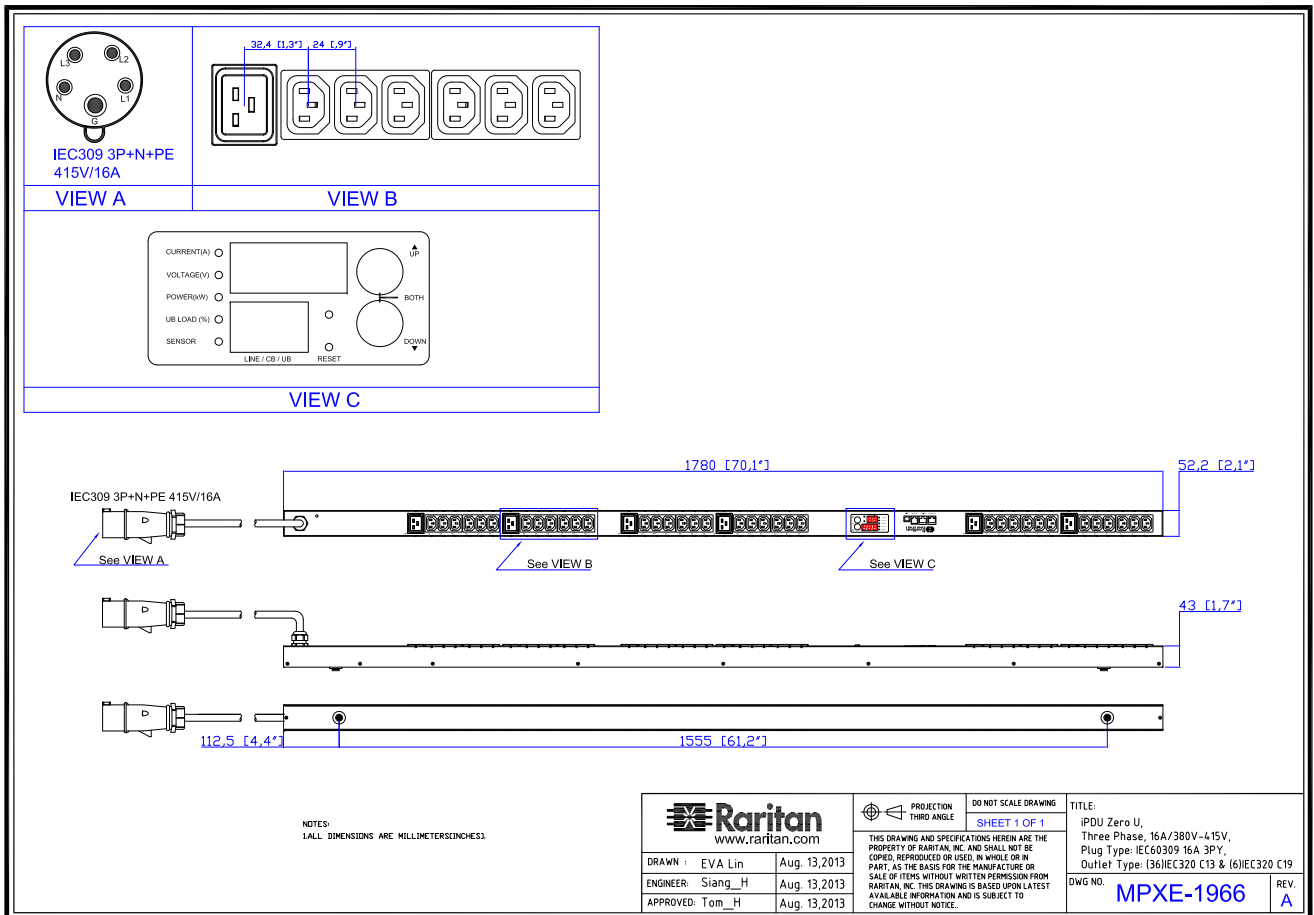


Technical Specifications / Engineering Submittals

Raritan Model Number: PXE-1966

rev20180131

MECHANICAL DIAGRAM



Technical Specifications / Engineering Submittals

Raritan Model Number: PXE-1966

rev20180131

TRIP CURVE

This file generated on: Wed, January 31, 2018 - 03:13:26